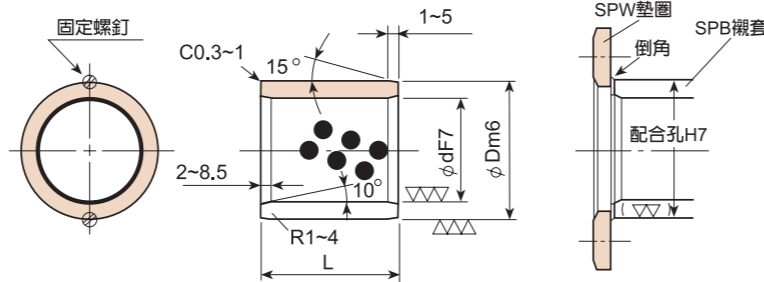




### 特殊銅合金系



自潤#500SP  
襯套(SPB)  
迴轉(搖擺)·往復運動用



● 配合軸 d8 : 一般用 (高負荷)  
e7 : 一般用 (輕負荷)  
f7 : 高精度用

● 若承受軸向負荷時須配合  
SPW 組合使用。

#### 使用注意事項

- 自潤#500SP 襯套 (SPB) 在迴轉, 搖擺及往復運動均可使用。
- 若承受軸向荷重時, 請配合自潤#500SP 墊圈 (SPW) 組合使用。
- 請避免在水中使用。
- 內徑 31.5mm 在油壓缸中間耳軸 (trunnion) 襯套。

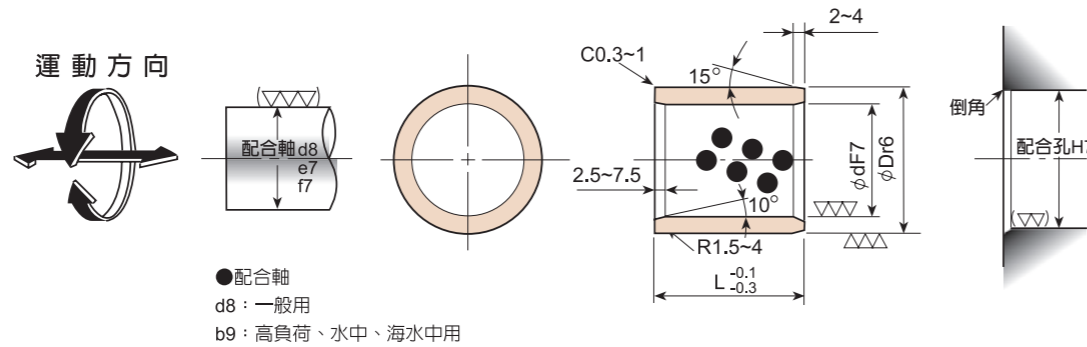
※ 特殊規格尺寸亦可訂製。  
※ 特殊條件及場所之使用請另洽本公司。

訂購型號  
SPB-○○ ○○ ○○  
內徑 外徑 長度

| 軸徑<br>區分 | 寸法 (mm)              |                     | 長度 L 公差 0.3 |         |         |         |         |         |         |         |         |         |         | 長度 L 公差 0.3 |    |    |     |     |     |     |     |  |      |     | 內徑     | 外徑 | 適用<br>墊圈<br>SPW |
|----------|----------------------|---------------------|-------------|---------|---------|---------|---------|---------|---------|---------|---------|---------|---------|-------------|----|----|-----|-----|-----|-----|-----|--|------|-----|--------|----|-----------------|
|          | 內徑<br>∅d 公差          | 外徑<br>∅D 公差         | 8           | 10      | 12      | 15      | 16      | 20      | 25      | 30      | 35      | 40      | 50      | 60          | 70 | 80 | 100 | 120 | 130 | 140 | 150 |  |      |     |        |    |                 |
| 8        | 8 +0.028 / +0.013    | 12 +0.018 / +0.007  | -081208     | -081210 | -081212 | -081215 |         |         |         |         |         |         |         |             |    |    |     |     |     |     |     |  | 8    | 12  | —      |    |                 |
| 10       | 10 "                 | 14 "                | -101408     | -101410 | -101412 | -101415 |         |         |         |         | -101420 |         |         |             |    |    |     |     |     |     |     |  | 10   | 14  | -1003  |    |                 |
| 12       | 12 +0.034 / +0.016   | 18 "                | -121808     | -121810 | -121812 | -121815 | -121816 | -121820 | -121825 | -121830 |         |         |         |             |    |    |     |     |     |     |     |  | 12   | 18  | -1203  |    |                 |
| 13       | 13 "                 | 19 +0.021 / +0.008  |             | -131910 | -131912 | -131915 |         |         |         | -131920 |         |         |         |             |    |    |     |     |     |     |     |  | 13   | 19  | -1303  |    |                 |
| 14       | 14 "                 | 20 "                |             | -142010 | -142012 | -142015 |         |         |         | -142020 | -142025 | -142030 |         |             |    |    |     |     |     |     |     |  | 14   | 20  | -1403  |    |                 |
| 15       | 15 "                 | 21 "                |             | -152110 | -152112 | -152115 | -152116 | -152120 | -152125 | -152130 |         |         |         |             |    |    |     |     |     |     |     |  | 15   | 21  | -1503  |    |                 |
| 16       | 16 "                 | 22 "                |             | -162210 | -162212 | -162215 | -162216 | -162220 | -162225 | -162230 | -162235 |         |         |             |    |    |     |     |     |     |     |  | 16   | 22  | -1603  |    |                 |
| 18       | 18 "                 | 24 "                |             |         | -182412 | -182415 | -182416 | -182420 | -182425 | -182430 |         |         |         |             |    |    |     |     |     |     |     |  | 18   | 24  | -1803  |    |                 |
| 20       | 20 +0.041 / +0.020   | 28 "                |             | -202810 | -202812 | -202815 | -202816 | -202820 | -202825 | -202830 | -202835 |         |         |             |    |    |     |     |     |     |     |  | 20   | 28  | -2005  |    |                 |
|          | 20 "                 | 30 "                |             |         |         |         | -203016 | -203020 | -203025 | -203030 | -203035 |         |         |             |    |    |     |     |     |     |     |  | 20   | 30  | "      |    |                 |
| 25       | 25 "                 | 33 +0.025 / +0.009  |             |         | -253312 | -253315 | -253316 | -253320 | -253325 | -253330 | -253335 |         |         |             |    |    |     |     |     |     |     |  | 25   | 33  | -2505  |    |                 |
|          | 25 "                 | 35 "                |             |         | -253512 | -253515 | -253516 | -253520 | -253525 | -253530 | -253535 |         |         |             |    |    |     |     |     |     |     |  | 25   | 35  | "      |    |                 |
| 30       | 30 "                 | 38 "                |             |         | -303812 | -303815 |         | -303820 | -303825 | -303830 | -303835 |         |         |             |    |    |     |     |     |     |     |  | 30   | 38  | -3005  |    |                 |
|          | 30 "                 | 40 "                |             |         | -304012 | -304015 |         | -304020 | -304025 | -304030 | -304035 |         |         |             |    |    |     |     |     |     |     |  | 30   | 40  | "      |    |                 |
| 31.5     | 31.5 +0.050 / +0.025 | 40 "                |             |         |         |         |         |         |         | -314030 |         |         |         |             |    |    |     |     |     |     |     |  | 31.5 | 40  | —      |    |                 |
|          | 35 "                 | 44 "                |             |         |         |         |         |         | -354425 | -354430 | -354435 |         |         |             |    |    |     |     |     |     |     |  | 35   | 44  | -3505  |    |                 |
| 35       | 35 "                 | 45 "                |             |         |         |         |         | -354520 | -354525 | -354530 | -354535 |         |         |             |    |    |     |     |     |     |     |  | 35   | 45  | "      |    |                 |
| 40       | 40 "                 | 50 "                |             |         |         |         |         |         | -405015 | -405020 | -405025 | -405030 | -405035 |             |    |    |     |     |     |     |     |  | 40   | 50  | -4007  |    |                 |
|          | 40 "                 | 55 +0.030 / +0.011  |             |         |         |         |         |         |         | -405530 | -405535 |         |         |             |    |    |     |     |     |     |     |  | 40   | 55  | "      |    |                 |
| 45       | 45 "                 | 55 "                |             |         |         |         |         |         |         | -455530 | -455535 |         |         |             |    |    |     |     |     |     |     |  | 45   | 55  | -4507  |    |                 |
|          | 45 "                 | 56 "                |             |         |         |         |         |         |         | -455630 | -455635 |         |         |             |    |    |     |     |     |     |     |  | 45   | 56  | "      |    |                 |
| 45       | 45 "                 | 60 "                |             |         |         |         |         |         |         | -456030 | -456035 |         |         |             |    |    |     |     |     |     |     |  | 45   | 60  | "      |    |                 |
|          | 50 "                 | 60 "                |             |         |         |         |         | -506020 |         | -506030 | -506035 |         |         |             |    |    |     |     |     |     |     |  | 50   | 60  | -5008  |    |                 |
| 50       | 50 "                 | 62 "                |             |         |         |         |         |         |         | -506230 | -506235 |         |         |             |    |    |     |     |     |     |     |  | 50   | 62  | "      |    |                 |
|          | 50 "                 | 65 "                |             |         |         |         |         |         |         | -506530 |         |         |         |             |    |    |     |     |     |     |     |  | 50   | 65  | "      |    |                 |
| 55       | 55 +0.060 / +0.030   | 70 "                |             |         |         |         |         |         |         | -557030 | -557035 |         |         |             |    |    |     |     |     |     |     |  | 55   | 70  | -5508  |    |                 |
|          | 60 "                 | 74 "                |             |         |         |         |         |         |         | -607430 | -607435 |         |         |             |    |    |     |     |     |     |     |  | 60   | 74  | -6008  |    |                 |
| 60       | 60 "                 | 75 "                |             |         |         |         |         |         |         | -607530 | -607535 |         |         |             |    |    |     |     |     |     |     |  | 60   | 75  | "      |    |                 |
| 63       | 63 "                 | 75 "                |             |         |         |         |         |         |         |         |         |         |         |             |    |    |     |     |     |     |     |  | 63   | 75  | —      |    |                 |
| 65       | 65 "                 | 80 "                |             |         |         |         |         |         |         |         |         |         |         |             |    |    |     |     |     |     |     |  | 65   | 80  | -6508  |    |                 |
| 70       | 70 "                 | 85 +0.035 / +0.013  |             |         |         |         |         |         |         | -708530 | -708535 |         |         |             |    |    |     |     |     |     |     |  | 70   | 85  | -7010  |    |                 |
|          | 70 "                 | 90 "                |             |         |         |         |         |         |         |         |         |         |         |             |    |    |     |     |     |     |     |  | 70   | 90  | "      |    |                 |
| 75       | 75 "                 | 90 "                |             |         |         |         |         |         |         |         |         |         |         |             |    |    |     |     |     |     |     |  | 75   | 90  | -7510  |    |                 |
|          | 75 "                 | 95 "                |             |         |         |         |         |         |         |         |         |         |         |             |    |    |     |     |     |     |     |  | 75   | 95  | "      |    |                 |
| 80       | 80 "                 | 96 "                |             |         |         |         |         |         |         |         |         |         |         |             |    |    |     |     |     |     |     |  | 80   | 96  | -8010  |    |                 |
|          | 80 "                 | 100 "               |             |         |         |         |         |         |         |         |         |         |         |             |    |    |     |     |     |     |     |  | 80   | 100 | "      |    |                 |
| 90       | 90 +0.071 / +0.036   | 110 "               |             |         |         |         |         |         |         |         |         |         |         |             |    |    |     |     |     |     |     |  | 90   | 110 | -9010  |    |                 |
|          | 100 "                | 120 "               |             |         |         |         |         |         |         |         |         |         |         |             |    |    |     |     |     |     |     |  | 100  | 120 | -10010 |    |                 |
| 110      | 110 "                | 130 +0.040 / +0.015 |             |         |         |         |         |         |         |         |         |         |         |             |    |    |     |     |     |     |     |  | 110  | 130 | —      |    |                 |
| 120      | 120 "                | 140 "               |             |         |         |         |         |         |         |         |         |         |         |             |    |    |     |     |     |     |     |  | 120  | 140 | -12010 |    |                 |
| 125      | 125 +0.083 / +0.043  | 145 "               |             |         |         |         |         |         |         |         |         |         |         |             |    |    |     |     |     |     |     |  | 125  | 145 | —      |    |                 |
| 130      | 130 "                | 150 "               |             |         |         |         |         |         |         |         |         |         |         |             |    |    |     |     |     |     |     |  | 130  | 150 | —      |    |                 |
| 140      | 140 "                | 160 "               |             |         |         |         |         |         |         |         |         |         |         |             |    |    |     |     |     |     |     |  | 140  | 160 | —      |    |                 |
| 150      | 150 "                | 170 "               |             |         |         |         |         |         |         |         |         |         |         |             |    |    |     |     |     |     |     |  | 150  | 170 | —      |    |                 |
| 160      | 160 "                | 180 "               |             |         |         |         |         |         |         |         |         |         |         |             |    |    |     |     |     |     |     |  | 160  | 180 | —      |    |                 |



### 特殊銅合金系



### 自潤 #500SP SL 4 襯套 (SPBL)

〈水中·海水中用〉〈迴轉（搖擺）·往復運動用〉

#### 使用注意事項

- 產品所附的特殊油脂，請塗敷在內徑滑動面以便做適當運轉。
- 短時間的間歇運轉下，可超越容許最高速度，容許高PV值的界限使用，但在此情形，請先與本公司洽詢。
- 請使用在水中、海中、被水飛濺及海上等處時，配合軸請用不銹鋼或鍍鉻 (30 μm以上)的軸心。在嚴重腐蝕性環境下的配合軸，請使用耐腐蝕性較高的不銹鋼或增加鍍鉻層的厚度，並保持防銹油脂的供給。
- 承受高荷重時，須以螺釘固定，防止其迴轉。
- 自潤#500SP(SPBL)在大氣中，水中均可使用於無給油的情況，若須與油脂並用時，請使用加極壓添加劑的鋰基油脂。

| 軸徑<br>區分 | 尺寸 (mm)                                  |   |                |                | 長度 L 公差 <sup>-0.1</sup> / <sub>-0.3</sub> |                |                |                | 長度 L 公差 <sup>-0.1</sup> / <sub>-0.3</sub> |                   |                   |  | 內<br>徑 | 外<br>徑 |
|----------|--|---|----------------|----------------|---|----------------|----------------|----------------|---|-------------------|-------------------|--|--------|--------|
|          | 內徑<br>∅d 公差                              | 外徑<br>∅D 公差                               | 20             | 30             | 40  | 50             | 60             | 70             | 80  | 100               | 120               |  |        |        |
| 16       | 16 <sup>+0.050</sup> / <sub>+0.032</sub> | 22 <sup>+0.041</sup> / <sub>+0.028</sub>  | <b>-162220</b> |                |   |                |                |                |   |                   |                   |  | 16     | 22     |
| 18       | 18 "                                     | 24 "                                      | <b>-182420</b> |                |   |                |                |                |   |                   |                   |  | 18     | 24     |
| 20       | 20 <sup>+0.061</sup> / <sub>+0.040</sub> | 30 "                                      | <b>-203020</b> | <b>-203030</b> |   |                |                |                |   |                   |                   |  | 20     | 30     |
| 25       | 25 "                                     | 35 <sup>+0.050</sup> / <sub>+0.034</sub>  | <b>-253520</b> | <b>-253530</b> | <b>-253540</b>                            |                |                |                |   |                   |                   |  | 25     | 35     |
| 30       | 30 "                                     | 40 "                                      |                | <b>-304030</b> | <b>-304040</b>                            |                |                |                |   |                   |                   |  | 30     | 40     |
| 40       | 40 <sup>+0.075</sup> / <sub>+0.050</sub> | 50 "                                      |                |                | <b>-405040</b>                            | <b>-405050</b> |                |                |   |                   |                   |  | 40     | 50     |
|          | 40 "                                     | 55 <sup>+0.060</sup> / <sub>+0.041</sub>  |                |                | <b>-405540</b>                            | <b>-405550</b> |                |                |   |                   |                   |  | 40     | 55     |
| 45       | 45 "                                     | 60 "                                      |                |                |   |                | <b>-456060</b> |                |   |                   |                   |  | 45     | 60     |
| 50       | 50 "                                     | 60 "                                      |                |                |   | <b>-506050</b> |                |                |   |                   |                   |  | 50     | 60     |
|          | 50 "                                     | 65 "                                      |                |                |   | <b>-506550</b> | <b>-506560</b> | <b>-506570</b> |   |                   |                   |  | 50     | 65     |
| 55       | 55 <sup>+0.090</sup> / <sub>+0.060</sub> | 70 <sup>+0.062</sup> / <sub>+0.043</sub>  |                |                |   |                |                | <b>-557060</b> |   |                   |                   |  | 55     | 70     |
| 60       | 60 "                                     | 75 "                                      |                |                |   |                |                | <b>-607560</b> |   | <b>-607580</b>    |                   |  | 60     | 75     |
| 65       | 65 "                                     | 80 "                                      |                |                |   |                |                |                | <b>-658080</b>                            |                   |                   |  | 65     | 80     |
| 70       | 70 "                                     | 90 <sup>+0.073</sup> / <sub>+0.051</sub>  |                |                |   |                |                |                | <b>-709080</b>                            |                   |                   |  | 70     | 90     |
| 80       | 80 "                                     | 100 "                                     |                |                |   |                |                |                | <b>-8010080</b>                           | <b>-80100100</b>  |                   |  | 80     | 100    |
| 90       | 90 <sup>+0.107</sup> / <sub>+0.072</sub> | 110 <sup>+0.076</sup> / <sub>+0.054</sub> |                |                |   |                |                |                |   | <b>-90110100</b>  |                   |  | 90     | 110    |
| 100      | 100 "                                    | 120 "                                     |                |                |   |                |                |                |   | <b>-100120100</b> |                   |  | 100    | 120    |
| 120      | 120 "                                    | 140 <sup>+0.088</sup> / <sub>+0.063</sub> |                |                |   |                |                |                |   |                   | <b>-120140120</b> |  | 120    | 140    |

#### 諸性質

| 項目          | 單位                        | 自潤 #500SP |
|-------------|---------------------------|-----------|
| 比重          |                           | 8.2       |
| 熱膨脹率        | X10 <sup>5</sup> /°C      | 1.6-2.0   |
| 熱傳導率        | cal/sec°C · cm            | 0.09-0.13 |
| 抗拉強度        | kgf/mm <sup>2</sup>       | 77以上      |
| 壓縮強度        | kgf/mm <sup>2</sup>       | -         |
| 衝擊強度        | kgf · cm/cm <sup>2</sup>  | 400-500   |
| 硬度          | HB                        | 210以上     |
| 縱彈性係數       | X10 <sup>4</sup> kgf/mm   | 100-140   |
| 壓縮耐力        | (0.1%)kgf/mm <sup>2</sup> | 35以上      |
| 軸承面的固體潤滑劑面積 |                           | 25-35%    |
| 伸長率         | %                         | 12以上      |
| 摩擦係數        | μ (Min)                   | 0.03      |

訂購型號

SPBL-                
          內徑 外徑 長度

- ※ 特殊規格尺寸亦可訂製。
- ※ 特殊條件及場所之使用請另洽本公司。

#### 使用範圍

| 種類     | 基材金屬  | 給油條件 | 容許最高荷重<br>kgf/cm <sup>2</sup> | 容許最高速度<br>m/min | 容許最高PV值<br>kgf/cm <sup>2</sup><br>m/min | 使用界限溫度<br>°C |
|--------|-------|------|-------------------------------|-----------------|---|--------------|
| #500SP | 特殊銅合金 | 無給油  | 500                           | 7               | 1,000                                   | 常溫           |

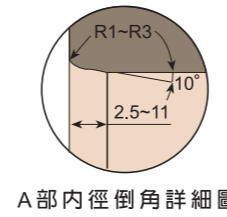
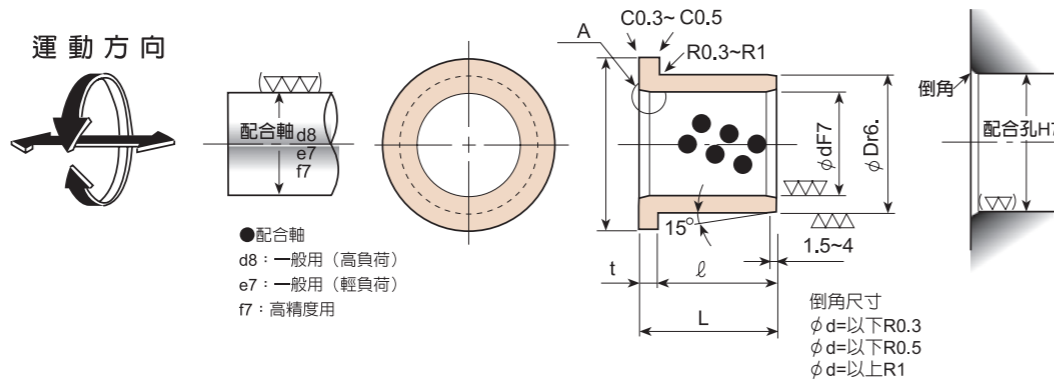


### 特殊銅合金系



#### 自潤 #500SP 襯套 (SPF)

迴轉 (搖擺) · 往復運動用



訂購型號  
SPF-                  
內徑 長度

#### 使用注意事項

- 自潤 #500SP 襯套 (SPF) 在迴轉，搖擺及往復運動均可使用。
- 請注意凸緣部無固體潤滑劑。
- 請避免在水中使用。
- 內徑 31.5mm 在油壓缸中間耳軸 (trunnion) 襯套。

※ 特殊規格尺寸亦可訂製。  
※ 特殊條件及場所之使用請另洽本公司。

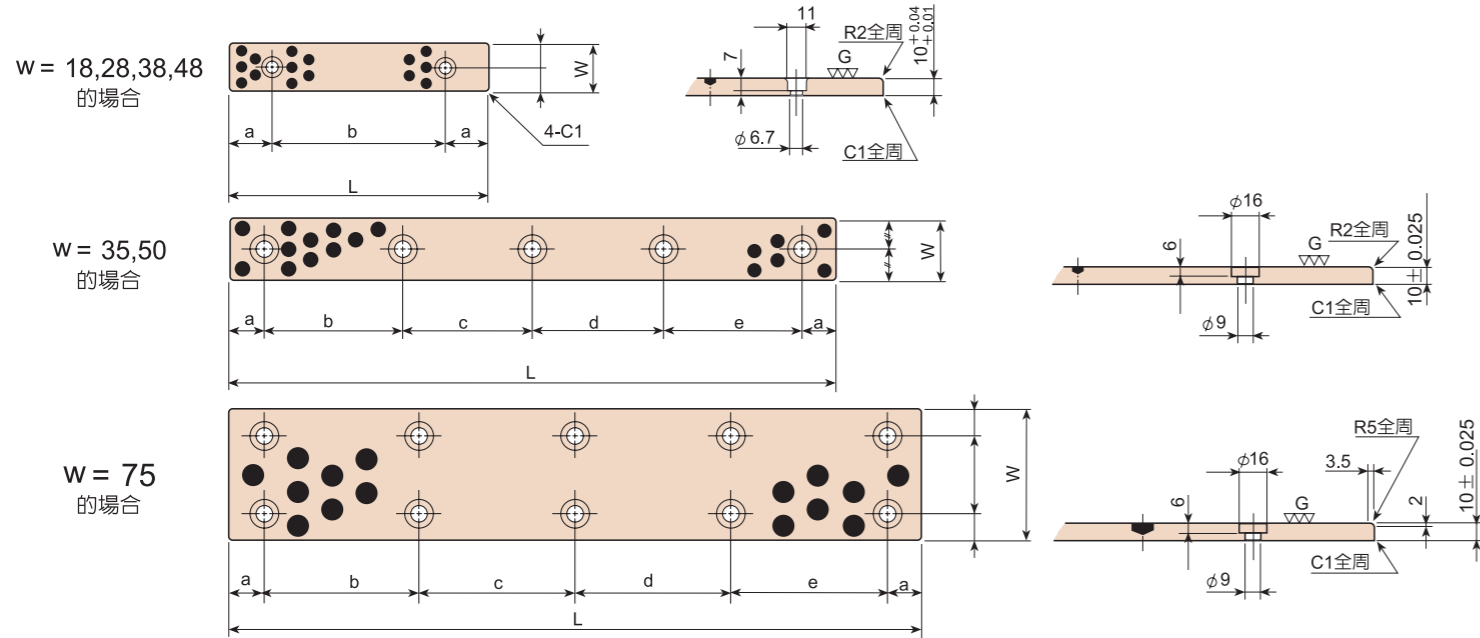
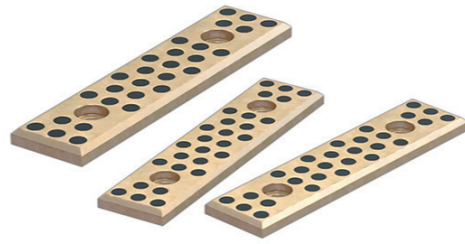
| 軸徑<br>區分 | 尺寸 (mm) |                  |     |                  |     |     | 長度 L 公差 <sup>-0.1</sup> / <sub>-0.3</sub> |       |       |       |       | 長度 L 公差 <sup>-0.1</sup> / <sub>-0.3</sub> |       |       |       |       | 內<br>徑 | 外<br>徑 |         |      |     |
|----------|---------|------------------|-----|------------------|-----|-----|---|-------|-------|-------|-------|---|-------|-------|-------|-------|--------|--------|---------|------|-----|
|          | 內徑      |                  | 外徑  |                  | 凸緣  |     | 10  | 15    | 20    | 25    | 30    | 35  | 40    | 50    | 60    | 67.5  |        |        | 80      | 100  |     |
|          | φd      | 公差               | φD  | 公差               | 徑φF | 厚度  | 公差  | SPF   | SPF   | SPF   | SPF   | SPF                                       | SPF   | SPF   | SPF   | SPF   |        |        | SPF     | SPF  |     |
| 10       | 10      | +0.040<br>±0.025 | 14  | +0.034<br>+0.023 | 22  | 2   | 0<br>-0.1                                 | -1010 | -1015 | -1020 |       |   |       |       |       |       |        |        |         | 10   | 14  |
| 12       | 12      | +0.050<br>+0.032 | 18  | "                | 25  | 3   | "   | -1210 | -1215 | -1220 | -1225 | -1230                                     |       |       |       |       |        |        |         | 12   | 18  |
| 13       | 13      | "                | 19  | +0.041<br>+0.028 | 26  | "   | "   |       | -1315 | -1320 |       |   |       |       |       |       |        |        |         | 13   | 19  |
| 14       | 14      | "                | 20  | "                | 27  | "   | "   |       | -1415 | -1420 | -1425 |   |       |       |       |       |        |        |         | 14   | 20  |
| 15       | 15      | "                | 21  | "                | 28  | "   | "   | -1510 | -1515 | -1520 | -1525 | -1530                                     |       |       |       |       |        |        |         | 15   | 21  |
| 16       | 16      | "                | 22  | "                | 29  | "   | "   |       | -1615 | -1620 | -1625 | -1630                                     | -1635 |       | -1640 |       |        |        |         | 16   | 22  |
| 20       | 20      | +0.061<br>+0.040 | 30  | "                | 40  | 5   | "   |       | -2015 | -2020 | -2025 | -2030                                     |       |       | -2040 |       |        |        |         | 20   | 30  |
| 25       | 25      | "                | 35  | +0.050<br>+0.034 | 45  | "   | "   |       | -2515 | -2520 | -2525 | -2530                                     | -2535 |       | -2540 | -2550 |        |        |         | 25   | 35  |
| 30       | 30      | "                | 40  | "                | 50  | "   | "   |       |       | -3020 | -3025 | -3030                                     | -3035 |       | -3040 | -3050 |        |        |         | 30   | 40  |
| 31.5     | 31.5    | +0.075<br>+0.050 | 40  | "                | "   | "   | "   |       |       | -3120 |       | -3130                                     | -3135 |       | -3140 |       |        |        |         | 31.5 | 40  |
| 35       | 35      | "                | 45  | "                | 60  | "   | "   |       |       | -3520 | -3525 | -3530                                     | -3535 |       | -3540 | -3550 |        |        |         | 35   | 45  |
| 40       | 40      | "                | 50  | "                | 65  | "   | "   |       |       | -4020 | -4025 | -4030                                     | -4035 |       | -4040 | -4050 |        |        |         | 40   | 50  |
| 45       | 45      | "                | 55  | +0.073<br>+0.041 | 70  | "   | "   |       |       |       |       | -4530                                     | -4535 |       | -4540 | -4550 | -4560  |        |         | 45   | 55  |
| 50       | 50      | "                | 60  | "                | 75  | "   | "   |       |       |       |       | -5030                                     | -5035 |       | -5040 | -5050 | -5060  |        |         | 50   | 60  |
| 55       | 55      | +0.090<br>+0.060 | 65  | "                | 80  | "   | "   |       |       |       |       |   |       |       | -5540 |       | -5560  |        |         | 55   | 65  |
| 60       | 60      | "                | 75  | +0.062<br>+0.043 | 90  | 7.5 | "   |       |       |       |       |   |       | -6040 | -6050 | -6060 |        | -6080  |         | 60   | 75  |
| 63       | 63      | "                | 75  | "                | 85  | "   | "   |       |       |       |       |   |       |       |       |       | -6367  |        |         | 63   | 75  |
| 70       | 70      | "                | 85  | +0.083<br>+0.051 | 105 | "   | "   |       |       |       |       |   |       | -7050 |       |       |        | -7080  |         | 70   | 85  |
| 75       | 75      | "                | 90  | "                | 110 | "   | "   |       |       |       |       |   |       |       |       | -7560 |        |        |         | 75   | 90  |
| 80       | 80      | "                | 100 | "                | 120 | 10  | "   |       |       |       |       |   |       |       |       | -8060 |        | -8080  | -80100  | 80   | 100 |
| 90       | 90      | +0.107<br>+0.072 | 110 | +0.076<br>+0.054 | 130 | "   | "   |       |       |       |       |   |       | -9060 |       |       |        | -9080  |         | 90   | 110 |
| 100      | 100     | "                | 120 | "                | 150 | "   | "   |       |       |       |       |   |       |       |       |       |        | -10080 | -100100 | 100  | 120 |
| 120      | 120     | "                | 140 | +0.088<br>+0.063 | 170 | "   | "   |       |       |       |       |   |       |       |       |       |        | -12080 | -120100 | 120  | 140 |



### 特殊銅合金系

平面型自潤軸承  
平面耐磨板 (SFP) (#500SP)  
厚度: 10mm

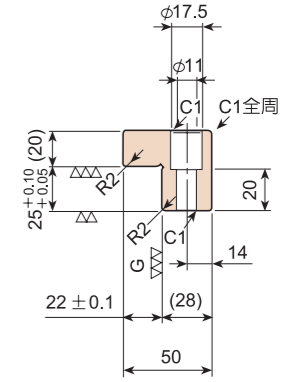
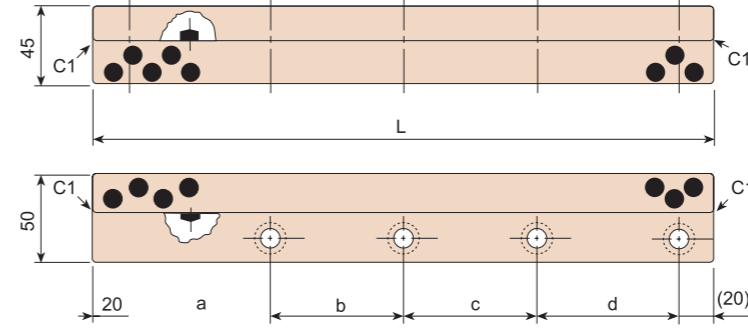
訂購型號  
SFP-○○ ○○  
寬度 長度



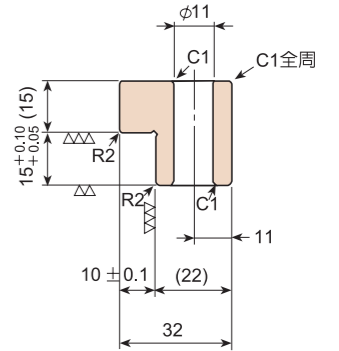
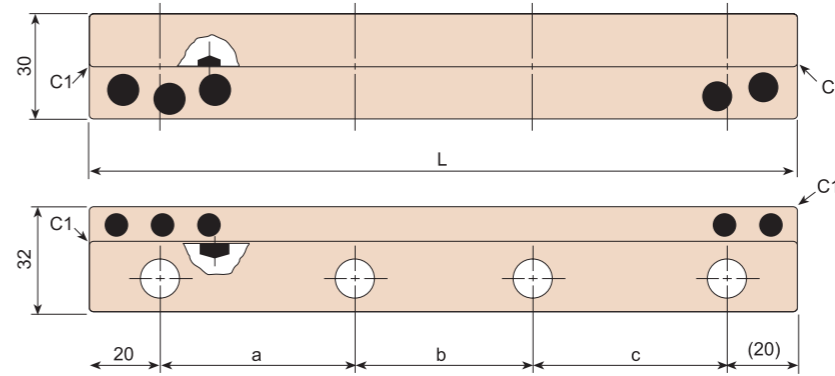
| 型號        | 寬度 長度 |     | 裝配孔之孔距 |     |     |     |     | 裝配螺栓     |    |
|-----------|-------|-----|--------|-----|-----|-----|-----|----------|----|
|           | W     | L   | a      | b   | c   | d   | e   | 螺栓規格     | 個數 |
| SFP-1875  | 18    | 75  | 15     | 45  |     |     |     | M6六角承窩螺栓 | 2  |
| SFP-18100 | "     | 100 | 25     | 50  |     |     |     | "        | 2  |
| SFP-18125 | "     | 125 | 25     | 75  |     |     |     | "        | 2  |
| SFP-18150 | "     | 150 | 25     | 100 |     |     |     | "        | 2  |
| SFP-2875  | 28    | 75  | 15     | 45  |     |     |     | "        | 2  |
| SFP-28100 | "     | 100 | 25     | 50  |     |     |     | "        | 2  |
| SFP-28125 | "     | 125 | 25     | 75  |     |     |     | "        | 2  |
| SFP-28150 | "     | 150 | 25     | 100 |     |     |     | "        | 2  |
| SFP-35100 | 35    | 100 | 20     | 60  |     |     |     | M8平頭小螺釘  | 2  |
| SFP-35150 | "     | 150 | 20     | 55  | 55  |     |     | "        | 3  |
| SFP-35200 | "     | 200 | 20     | 55  | 50  | 55  |     | "        | 4  |
| SFP-35250 | "     | 250 | 20     | 70  | 70  | 70  |     | "        | 4  |
| SFP-35300 | "     | 300 | 20     | 65  | 65  | 65  | 65  | "        | 5  |
| SFP-35350 | "     | 350 | 20     | 80  | 75  | 75  | 80  | "        | 5  |
| SFP-3875  | 38    | 75  | 15     | 45  |     |     |     | M6六角承窩螺栓 | 2  |
| SFP-38100 | "     | 100 | 25     | 50  |     |     |     | "        | 2  |
| SFP-38125 | "     | 125 | 25     | 75  |     |     |     | "        | 2  |
| SFP-38150 | "     | 150 | 25     | 100 |     |     |     | "        | 2  |
| SFP-4875  | 48    | 75  | 15     | 45  |     |     |     | "        | 2  |
| SFP-48100 | "     | 100 | 25     | 50  |     |     |     | "        | 2  |
| SFP-48125 | "     | 125 | 25     | 75  |     |     |     | "        | 2  |
| SFP-48150 | "     | 150 | 25     | 100 |     |     |     | "        | 2  |
| SFP-50100 | 50    | 100 | 20     | 60  |     |     |     | M8平頭小螺釘  | 2  |
| SFP-50150 | "     | 150 | 20     | 55  | 55  |     |     | "        | 3  |
| SFP-50200 | "     | 200 | 20     | 55  | 50  | 55  |     | "        | 4  |
| SFP-50250 | "     | 250 | 20     | 70  | 70  | 70  |     | "        | 4  |
| SFP-50300 | "     | 300 | 20     | 65  | 65  | 65  | 65  | "        | 5  |
| SFP-50400 | "     | 400 | 20     | 90  | 90  | 90  | 90  | "        | 5  |
| SFP-75150 | 75    | 150 | 20     | 110 |     |     |     | "        | 4  |
| SFP-75200 | "     | 200 | 20     | 80  | 80  |     |     | "        | 6  |
| SFP-75250 | "     | 250 | 20     | 105 | 105 |     |     | "        | 6  |
| SFP-75300 | "     | 300 | 20     | 85  | 90  | 85  |     | "        | 8  |
| SFP-75400 | "     | 400 | 20     | 120 | 120 | 120 |     | "        | 8  |
| SFP-75500 | "     | 500 | 20     | 115 | 115 | 115 | 115 | "        | 10 |

### 平面型自潤軸承 L型耐磨板 (SLP) (#500SP)

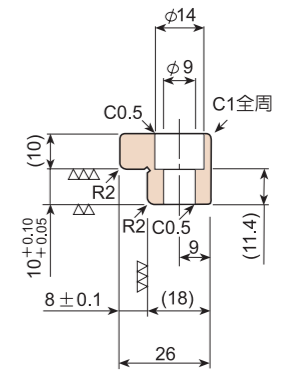
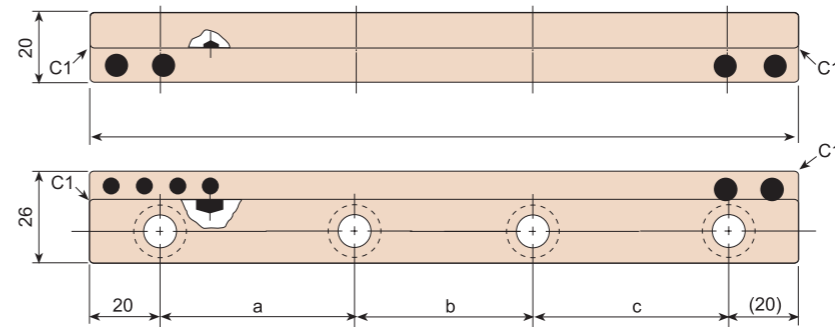
A型



B型



C型



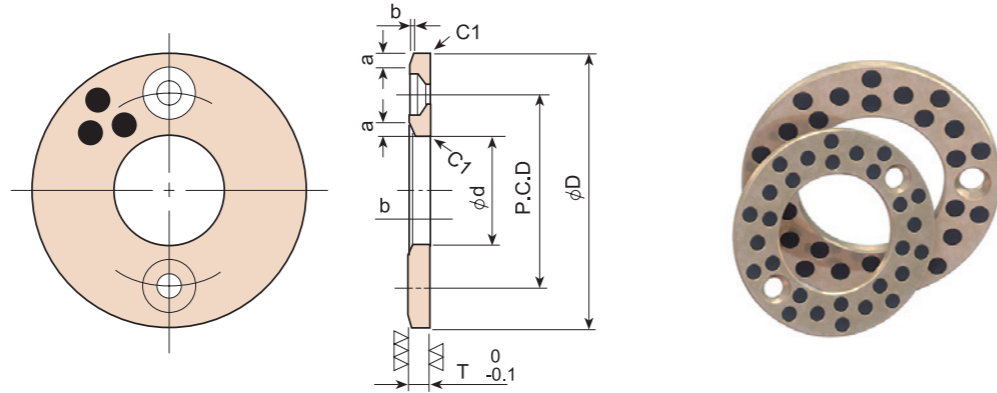
| 型號         | 型狀 | 長度  |    | 裝配孔之孔距 |    |    | 裝配螺栓 |    |
|------------|----|-----|----|--------|----|----|------|----|
|            |    | L   | a  | b      | c  | d  | 螺栓規格 | 個數 |
| SLP-26100C | C型 | 100 | 60 |        |    |    | M8   | 2  |
| SLP-26150C | "  | 150 | 55 | 55     |    |    | "    | 3  |
| SLP-26200C | "  | 200 | 55 | 50     | 55 |    | "    | 4  |
| SLP-32100B | B型 | 100 | 60 |        |    |    | M10  | 2  |
| SLP-32150B | "  | 150 | 55 | 55     |    |    | "    | 3  |
| SLP-32200B | "  | 200 | 55 | 50     | 55 |    | "    | 4  |
| SLP-32250B | "  | 250 | 70 | 70     | 70 |    | "    | 4  |
| SLP-50200A | A型 | 200 | 55 | 50     | 55 |    | "    | 4  |
| SLP-50250A | "  | 250 | 70 | 70     | 70 |    | "    | 4  |
| SLP-50300A | "  | 300 | 65 | 65     | 65 | 65 | "    | 5  |
| SLP-50350A | "  | 350 | 80 | 75     | 75 | 80 | "    | 5  |





### 特殊銅合金系

訂購型號  
SPW-○○ ○○  
內徑 厚度



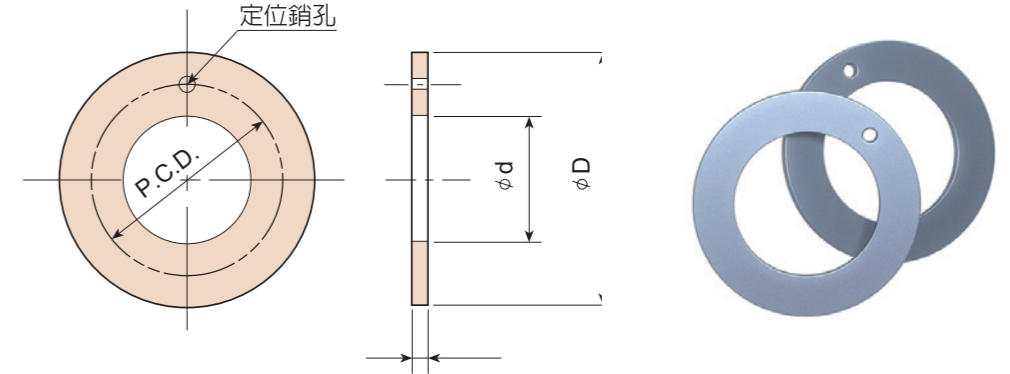
自潤 #500SP  
止推墊圈 (SPW)

| 尺寸 (mm)        |                | 厚度T           |   | 公差 $\pm 0.1$ |   |    | 裝配孔    |    |        | 倒角  |     |
|----------------|----------------|---------------|---|--------------|---|----|--------|----|--------|-----|-----|
| 內徑<br>$\phi d$ | 外徑<br>$\phi D$ | 3             | 5 | 7            | 8 | 10 | P.C.D  | 個數 | 使用埋頭螺絲 | a   | b   |
| 10.2           | 30             | <b>-1003</b>  |   |              |   |    | 20     | 2  | M3     | 1.5 | 0.3 |
| 12.2           | 40             | <b>-1203</b>  |   |              |   |    | 28     | "  | "      | 2   | 0.4 |
| 12.2           | 40             | <b>-1203N</b> |   |              |   |    | 無埋頭螺絲孔 |    |        | "   | "   |
| 13.2           | 40             | <b>-1303</b>  |   |              |   |    | 28     | 2  | M3     | "   | "   |
| 14.2           | 40             | <b>-1403</b>  |   |              |   |    | "      | "  | "      | "   | "   |
| 15.2           | 50             | <b>-1503</b>  |   |              |   |    | 35     | "  | "      | "   | "   |
| 16.2           | 50             | <b>-1603</b>  |   |              |   |    | "      | "  | "      | "   | "   |
| 16.2           | 50             | <b>-1603N</b> |   |              |   |    | 無埋頭螺絲孔 |    |        | "   | "   |
| 18.2           | 50             | <b>-1803</b>  |   |              |   |    | 35     | 2  | M3     | "   | "   |
| 20.2           | 50             | <b>-2005</b>  |   |              |   |    | "      | "  | M5     | 2.5 | "   |
| 25.2           | 55             | <b>-2505</b>  |   |              |   |    | 40     | "  | "      | "   | "   |
| 30.2           | 60             | <b>-3005</b>  |   |              |   |    | 45     | "  | "      | "   | "   |
| 35.2           | 70             | <b>-3505</b>  |   |              |   |    | 50     | "  | "      | "   | "   |
| 40.2           | 80             | <b>-4007</b>  |   |              |   |    | 60     | "  | M6     | 3   | 0.5 |
| 45.2           | 90             | <b>-4507</b>  |   |              |   |    | 70     | "  | "      | "   | "   |
| 50.3           | 100            | <b>-5008</b>  |   |              |   |    | 75     | 4  | "      | 4   | 0.6 |
| 55.3           | 110            | <b>-5508</b>  |   |              |   |    | 85     | "  | "      | "   | "   |
| 60.3           | 120            | <b>-6008</b>  |   |              |   |    | 90     | "  | M8     | 5   | 0.8 |
| 65.3           | 125            | <b>-6508</b>  |   |              |   |    | 95     | "  | "      | "   | "   |
| 70.3           | 130            | <b>-7010</b>  |   |              |   |    | 100    | "  | "      | "   | "   |
| 75.3           | 140            | <b>-7510</b>  |   |              |   |    | 110    | "  | "      | "   | "   |
| 80.3           | 150            | <b>-8010</b>  |   |              |   |    | 120    | "  | "      | "   | "   |
| 90.5           | 170            | <b>-9010</b>  |   |              |   |    | 140    | "  | M10    | "   | "   |
| 100.5          | 190            | <b>-10010</b> |   |              |   |    | 160    | "  | "      | "   | "   |
| 120.5          | 200            | <b>-12010</b> |   |              |   |    | 175    | "  | "      | "   | "   |

- 請參考SPB組配。
- 可與SPB合併使用。

### 添加鐵弗龍系

訂購型號  
LFW-○○ ○○  
內徑 厚度

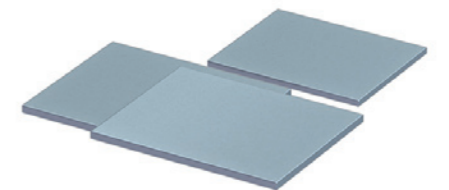


自潤 DRYMET LF  
墊圈 (LFW)

| 尺寸 (mm)  |              |          |              | 裝配孔                        |                            |     |                      |
|----------|--------------|----------|--------------|----------------------------|----------------------------|-----|----------------------|
| 內徑       |              | 外徑       |              | 厚度 T                       |                            | 定位銷 |                      |
| $\phi d$ | 公差           | $\phi D$ | 公差           | 1.5 公差 $\pm 0.03$<br>-0.08 | 2.0 公差 $\pm 0.03$<br>-0.08 | 穴徑  | 公差                   |
| 8        | $+0.25$<br>0 | 16       | $0$<br>-0.25 | <b>LFW-0815</b>            |                            | 1   | $+0.30$<br>$+0.10$   |
| 10       | "            | 18       | "            | <b>LFW-1015</b>            |                            | "   | 14                   |
| 12       | "            | 24       | "            | <b>LFW-1215</b>            |                            | 1.5 | $+0.375$<br>$+0.125$ |
| 14       | "            | 26       | "            | <b>LFW-1415</b>            |                            | 2   | "                    |
| 16       | "            | 30       | "            | <b>LFW-1615</b>            |                            | "   | 23                   |
| 18       | "            | 32       | "            | <b>LFW-1815</b>            |                            | "   | 25                   |
| 20       | "            | 36       | "            | <b>LFW-2015</b>            |                            | 3   | "                    |
| 22       | "            | 38       | "            | <b>LFW-2215</b>            |                            | "   | 30                   |
| 24       | "            | 42       | "            | <b>LFW-2415</b>            |                            | "   | 33                   |
| 26       | "            | 44       | "            | <b>LFW-2615</b>            |                            | "   | 35                   |
| 28       | "            | 48       | "            | <b>LFW-2815</b>            |                            | 4   | "                    |
| 32       | "            | 54       | "            | <b>LFW-3215</b>            |                            | "   | 43                   |
| 38       | "            | 62       | "            | <b>LFW-3815</b>            |                            | "   | 50                   |
| 42       | "            | 66       | "            | <b>LFW-4215</b>            |                            | "   | 54                   |
| 48       | "            | 74       | "            |                            | <b>LFW-4820</b>            | "   | 61                   |
| 52       | "            | 78       | "            |                            | <b>LFW-5220</b>            | "   | 65                   |
| 62       | "            | 90       | "            |                            | <b>LFW-6220</b>            | "   | 76                   |

自潤 DRYMET LF  
平板 (LFP)

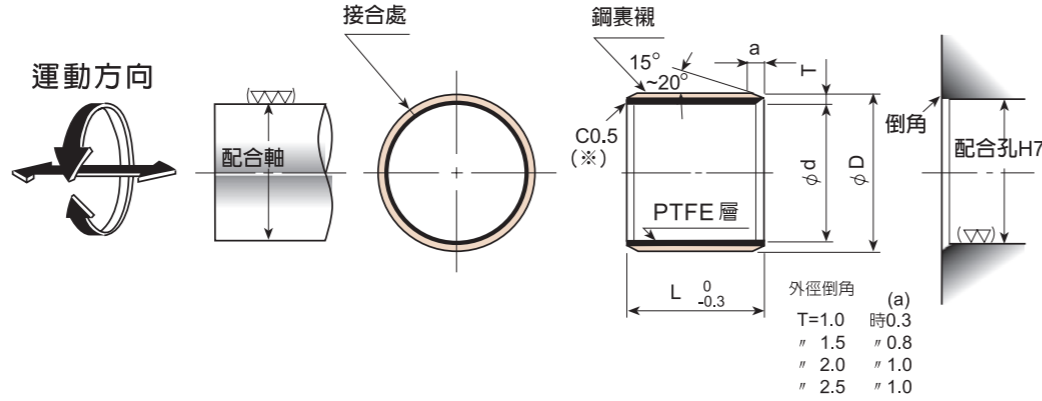
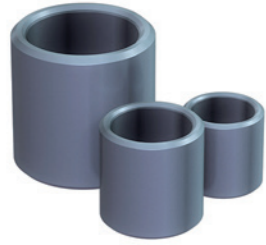
訂購型號  
LFP-○○ ○○  
厚度 寬度



| 尺寸 (mm) |     | 厚度                         |                            |                            |                            |
|---------|-----|----------------------------|----------------------------|----------------------------|----------------------------|
| 寬度      | 長度  | 1.0 公差 $\pm 0.03$<br>-0.13 | 1.5 公差 $\pm 0.03$<br>-0.13 | 2.0 公差 $\pm 0.03$<br>-0.13 | 2.5 公差 $\pm 0.03$<br>-0.13 |
|         |     | 80                         | 500                        | <b>LFP-1080</b>            |                            |
| 90      | 500 | <b>LFP-1590</b>            |                            |                            |                            |
| 100     | 500 | <b>LFP-20100</b>           |                            |                            |                            |
| 100     | 500 | <b>LFP-25100</b>           |                            |                            |                            |



### 添加鐵弗龍系



訂購型號  
LFB-           
          內徑 長度

#### 使用注意事項

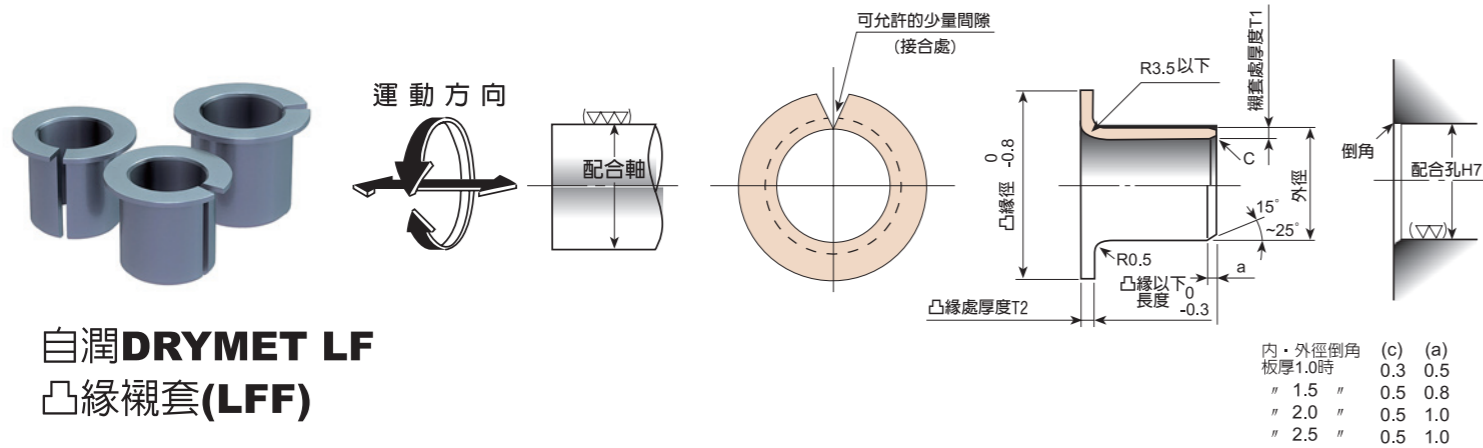
- 自潤 DRYMET LF 的接合處不影響軸的迴轉，但壓入時請避免其承受最大負荷。
- 產品全部為常置在庫品。

### 自潤 DRYMET LF 襯套 (LFB)

| 襯套<br>內徑<br>φd | 通用尺寸 (mm)    |                | 襯套<br>外徑<br>φD | 長 度 L 公差 <sub>0.3</sub> |     |       |       |       |       |       |       |       |       |       |       | 長 度 L 公差 <sub>0.3</sub> |       |     |       |       |       |        |        |        |        |        |         | 內 外<br>徑 |     |     |
|----------------|--------------|----------------|----------------|-------------------------|-----|-------|-------|-------|-------|-------|-------|-------|-------|-------|-------|-------------------------|-------|-----|-------|-------|-------|--------|--------|--------|--------|--------|---------|----------|-----|-----|
|                | 配合軸<br>尺寸 公差 | 配合孔<br>尺寸 公差H7 |                | 3                       | 4   | 5     | 6     | 7     | 8     | 10    | 12    | 15    | 20    | 25    | 30    | 35                      | 40    | 50  | 60    | 70    | 80    | 90     | 95     | 100    |        |        |         |          |     |     |
|                | LFB          | LFB            |                | LFB                     | LFB | LFB   | LFB   | LFB   | LFB   | LFB   | LFB   | LFB   | LFB   | LFB   | LFB   | LFB                     | LFB   | LFB | LFB   | LFB   | LFB   | LFB    | LFB    | LFB    |        |        |         |          |     |     |
| 3              | 3            | -0.025/-0.034  | 5              | +0.012/0                | 5   | -0303 | -0304 | -0305 | -0306 |       |       |       |       |       |       |                         |       |     |       |       |       |        |        | 3      | 5      |        |         |          |     |     |
| 4              | 4            | -0.025/-0.037  | 6              | "                       | 6   | -0403 | -0404 | -0405 | -0406 |       |       | -0408 |       |       |       |                         |       |     |       |       |       |        |        | 4      | 6      |        |         |          |     |     |
| 5              | 5            | "              | 7              | +0.015/0                | 7   | -0503 | -0504 | -0505 | -0506 |       |       | -0508 |       |       |       |                         |       |     |       |       |       |        |        | 5      | 7      |        |         |          |     |     |
| 6              | 6            | "              | 8              | "                       | 8   | -0603 | -0604 | -0605 | -0606 | -0607 | -0608 | -0610 | -0612 |       |       |                         |       |     |       |       |       |        |        | 6      | 8      |        |         |          |     |     |
| 7              | 7            | -0.025/-0.040  | 9              | "                       | 9   |       |       | -0705 | -0706 | -0707 | -0708 | -0710 | -0712 |       |       |                         |       |     |       |       |       |        |        | 7      | 9      |        |         |          |     |     |
| 8              | 8            | "              | 10             | "                       | 10  |       |       | -0805 | -0806 | -0807 | -0808 | -0810 | -0812 | -0815 |       |                         |       |     |       |       |       |        |        | 8      | 10     |        |         |          |     |     |
| 9              | 9            | "              | 11             | +0.018/0                | 11  |       |       |       | -0906 |       |       | -0910 |       |       |       |                         |       |     |       |       |       |        |        | 9      | 11     |        |         |          |     |     |
| 10             | 10           | "              | 12             | "                       | 12  |       |       | -1006 | -1007 | -1008 | -1010 | -1012 | -1015 | -1020 |       |                         |       |     |       |       |       |        |        | 10     | 12     |        |         |          |     |     |
| 12             | 12           | -0.025/-0.043  | 14             | "                       | 14  |       |       | -1206 |       |       | -1208 | -1210 | -1212 | -1215 | -1220 |                         |       |     |       |       |       |        |        | 12     | 14     |        |         |          |     |     |
| 13             | 13           | "              | 15             | "                       | 15  |       |       |       |       |       | -1308 | -1310 | -1312 | -1315 | -1320 |                         |       |     |       |       |       |        |        | 13     | 15     |        |         |          |     |     |
| 14             | 14           | "              | 16             | "                       | 16  |       |       |       |       |       | -1410 | -1412 | -1415 | -1420 |       |                         |       |     |       |       |       |        |        | 14     | 16     |        |         |          |     |     |
| 15             | 15           | "              | 17             | "                       | 17  |       |       |       |       |       | -1508 | -1510 | -1512 | -1515 | -1520 |                         |       |     | -1525 |       |       |        |        | 15     | 17     |        |         |          |     |     |
| 16             | 16           | "              | 18             | "                       | 18  |       |       |       |       |       | -1610 | -1612 | -1615 | -1620 |       |                         |       |     | -1625 |       |       |        |        | 16     | 18     |        |         |          |     |     |
| 17             | 17           | "              | 19             | +0.021/0                | 19  |       |       |       |       |       | -1710 |       | -1715 |       |       |                         |       |     |       |       |       |        |        | 17     | 19     |        |         |          |     |     |
| 18             | 18           | "              | 20             | "                       | 20  |       |       |       |       |       | -1810 | -1812 | -1815 | -1820 |       |                         |       |     | -1825 |       |       |        |        | 18     | 20     |        |         |          |     |     |
| 19             | 19           | -0.025/-0.046  | 22             | "                       | 22  |       |       |       |       |       | -1910 |       | -1915 | -1920 |       |                         |       |     |       |       |       |        |        | 19     | 22     |        |         |          |     |     |
| 20             | 20           | "              | 23             | "                       | 23  |       |       |       |       |       | -2010 | -2012 | -2015 | -2020 |       |                         |       |     | -2025 | -2030 |       |        |        | 20     | 23     |        |         |          |     |     |
| 22             | 22           | "              | 25             | "                       | 25  |       |       |       |       |       | -2210 | -2212 | -2215 | -2220 |       |                         |       |     | -2225 | -2230 |       |        |        | 22     | 25     |        |         |          |     |     |
| 24             | 24           | "              | 27             | "                       | 27  |       |       |       |       |       |       |       | -2415 | -2420 |       |                         |       |     | -2425 | -2430 |       |        |        | 24     | 27     |        |         |          |     |     |
| 25             | 25           | "              | 28             | "                       | 28  |       |       |       |       |       | -2510 | -2512 | -2515 | -2520 |       |                         |       |     | -2525 | -2530 | -2535 |        |        | 25     | 28     |        |         |          |     |     |
| 26             | 26           | "              | 30             | "                       | 30  |       |       |       |       |       |       |       | -2615 | -2620 |       |                         |       |     | -2625 | -2630 |       |        |        | 26     | 30     |        |         |          |     |     |
| 28             | 28           | "              | 32             | +0.025/0                | 32  |       |       |       |       |       |       |       | -2812 | -2815 | -2820 |                         |       |     | -2825 | -2830 |       |        |        | 28     | 32     |        |         |          |     |     |
| 30             | 30           | "              | 34             | "                       | 34  |       |       |       |       |       |       |       | -3012 | -3015 | -3020 |                         |       |     | -3025 | -3030 | -3035 | -3040  | -3050  | 30     | 34     |        |         |          |     |     |
| 31             | 31           | -0.025/-0.050  | 35             | "                       | 35  |       |       |       |       |       |       |       | -3115 |       |       |                         |       |     | -3125 | -3130 |       | -3140  |        | 31     | 35     |        |         |          |     |     |
| 32             | 32           | "              | 36             | "                       | 36  |       |       |       |       |       |       |       |       |       | -3220 |                         |       |     | -3225 | -3230 |       | -3240  |        | 32     | 36     |        |         |          |     |     |
| 35             | 35           | "              | 39             | "                       | 39  |       |       |       |       |       |       |       |       |       | -3512 |                         |       |     | -3525 | -3530 | -3535 | -3540  | -3550  | 35     | 39     |        |         |          |     |     |
| 38             | 38           | "              | 42             | "                       | 42  |       |       |       |       |       |       |       |       |       | -3820 |                         |       |     | -3825 | -3830 | -3835 | -3840  |        | 38     | 42     |        |         |          |     |     |
| 40             | 40           | "              | 44             | "                       | 44  |       |       |       |       |       |       |       |       |       | -4012 | -4015                   | -4020 |     | -4025 | -4030 | -4035 | -4040  | -4050  | 40     | 44     |        |         |          |     |     |
| 45             | 45           | "              | 50             | "                       | 50  |       |       |       |       |       |       |       |       |       |       |                         |       |     | -4525 | -4530 | -4535 | -4540  | -4550  | 45     | 50     |        |         |          |     |     |
| 50             | 50           | "              | 55             | +0.030/0                | 55  |       |       |       |       |       |       |       |       |       |       |                         |       |     | -5025 | -5030 | -5035 | -5040  | -5050  | -5060  | 50     | 55     |         |          |     |     |
| 55             | 55           | -0.025/-0.055  | 60             | "                       | 60  |       |       |       |       |       |       |       |       |       |       |                         |       |     | -5525 | -5530 | -5535 | -5540  | -5550  | -5560  | 55     | 60     |         |          |     |     |
| 60             | 60           | "              | 65             | "                       | 65  |       |       |       |       |       |       |       |       |       |       |                         |       |     |       | -6030 | -6035 | -6040  | -6050  | -6060  | -6080  | 60     | 65      |          |     |     |
| 65             | 65           | +0.035/+0.050  | 70             | "                       | 70  |       |       |       |       |       |       |       |       |       |       |                         |       |     |       | -6530 |       | -6540  | -6550  | -6560  | 65     | 70     |         |          |     |     |
| 70             | 70           | "              | 75             | "                       | 75  |       |       |       |       |       |       |       |       |       |       |                         |       |     |       | -7030 | -7035 | -7040  | -7050  | -7060  | -7070  | -7080  | 70      | 75       |     |     |
| 75             | 75           | "              | 80             | "                       | 80  |       |       |       |       |       |       |       |       |       |       |                         |       |     |       | -7530 | -7535 | -7540  | -7550  | -7560  | -7580  | 75     | 80      |          |     |     |
| 80             | 80           | "              | 85             | +0.035/0                | 85  |       |       |       |       |       |       |       |       |       |       |                         |       |     |       |       | -8040 | -8050  | -8060  | -8080  | 80     | 85     |         |          |     |     |
| 85             | 85           | +0.035/0       | 90             | "                       | 90  |       |       |       |       |       |       |       |       |       |       |                         |       |     |       |       | -8540 | -8550  | -8560  | -8580  | 85     | 90     |         |          |     |     |
| 90             | 90           | "              | 95             | "                       | 95  |       |       |       |       |       |       |       |       |       |       |                         |       |     |       |       | -9040 | -9050  | -9060  |        | -9090  | 90     | 95      |          |     |     |
| 100            | 100          | "              | 105            | "                       | 105 |       |       |       |       |       |       |       |       |       |       |                         |       |     |       |       |       | -10050 |        | -10070 | -10080 | -10095 | -100100 | 100      | 105 |     |
| 110            | 110          | "              | 115            | "                       | 115 |       |       |       |       |       |       |       |       |       |       |                         |       |     |       |       |       | -11050 |        | -11070 |        | -11095 | -110100 | 110      | 115 |     |
| 120            | 120          | "              | 125            | +0.040/0                | 125 |       |       |       |       |       |       |       |       |       |       |                         |       |     |       |       |       | -12050 |        | -12070 |        | -12095 | -120100 | 120      | 125 |     |
| 130            | 130          | +0.035/-0.005  | 135            | "                       | 135 |       |       |       |       |       |       |       |       |       |       |                         |       |     |       |       |       |        | -13050 |        |        | -13080 | -130100 | 130      | 135 |     |
| 140            | 140          | "              | 145            | "                       | 145 |       |       |       |       |       |       |       |       |       |       |                         |       |     |       |       |       |        |        | -14050 |        | -14080 |         | -140100  | 140 | 145 |
| 150            | 150          | "              | 155            | "                       | 155 |       |       |       |       |       |       |       |       |       |       |                         |       |     |       |       |       |        |        | -15050 |        | -15080 |         | -150100  | 150 | 155 |
| 160            | 160          | "              | 165            | "                       | 165 |       |       |       |       |       |       |       |       |       |       |                         |       |     |       |       |       |        |        | -16050 |        | -16080 |         | -160100  | 160 | 165 |



### 添加鐵弗龍系



訂購型號  
LFF- $\bigcirc\bigcirc$   $\bigcirc\bigcirc$   
內徑 凸緣以下  
長度

#### 使用注意事項

- 自潤 DRYMET LF 的接合處，不影響軸的迴轉，但壓入時請避免其承受最大負荷。
- 產品全部為常置在庫品。

### 自潤 DRYMET LF 凸緣襯套(LFF)

| 襯套尺寸                  |                       |                            | 推介尺寸 (mm) |                   |     |            | 各部厚度 |              | 凸緣以下長度 L 公差 $0_{-0.3}$ |             |       |       |       | 凸緣以下長度 L 公差 $0_{-0.3}$ |       |       |     |     | 內徑  | 外徑  |     |     |    |     |
|-----------------------|-----------------------|----------------------------|-----------|-------------------|-----|------------|------|--------------|------------------------|-------------|-------|-------|-------|------------------------|-------|-------|-----|-----|-----|-----|-----|-----|----|-----|
| 內徑<br>$\varnothing d$ | 外徑<br>$\varnothing D$ | 凸緣<br>徑<br>$\varnothing F$ | 配合軸       |                   | 配合孔 |            | 襯套部  | 凸緣部          | 3                      | 4           | 5     | 6     | 7     | 8                      | 10    | 12    | 15  | 20  |     |     | 25  | 30  | 40 |     |
|                       |                       |                            | 尺寸        | 公差                | 尺寸  | 公差H7       | T1   | T2           | LFF                    | LFF         | LFF   | LFF   | LFF   | LFF                    | LFF   | LFF   | LFF | LFF | LFF | LFF | LFF | LFF |    |     |
| 3                     | 4.6                   | 7                          | 3         | $-0.025_{-0.034}$ | 4.6 | $+0.012_0$ | 0.8  | $-0.025$     | 0.8                    | $-0.15$     | -0303 | -0305 |       |                        |       |       |     |     |     |     |     |     | 3  | 4.6 |
| 4                     | 5.6                   | 9                          | 4         | $-0.025_{-0.037}$ | 5.6 | "          | "    | "            | "                      | "           | -0404 | -0406 |       |                        |       |       |     |     |     |     |     |     | 4  | 5.6 |
| 5                     | 7                     | 10                         | 5         | "                 | 7   | $+0.015_0$ | 1.0  | $0_{-0.025}$ | 1.0                    | $0_{-0.15}$ | -0504 | -0505 | -0506 |                        |       |       |     |     |     |     |     |     | 5  | 7   |
| 6                     | 8                     | 12                         | 6         | "                 | 8   | "          | "    | "            | "                      | "           | -0605 | -0606 | -0607 | -0608                  |       |       |     |     |     |     |     |     | 6  | 8   |
| 7                     | 9                     | 13                         | 7         | $-0.025_{-0.040}$ | 9   | "          | "    | "            | "                      | "           | -0705 | -0707 |       |                        |       |       |     |     |     |     |     |     | 7  | 9   |
| 8                     | 10                    | 15                         | 8         | "                 | 10  | "          | "    | "            | "                      | "           | -0806 | -0808 | -0810 |                        |       |       |     |     |     |     |     |     | 8  | 10  |
| 9                     | 11                    | 16                         | 9         | "                 | 11  | $+0.018_0$ | "    | "            | "                      | "           | -0910 |       |       |                        |       |       |     |     |     |     |     |     | 9  | 11  |
| 10                    | 12                    | 18                         | 10        | "                 | 12  | "          | "    | "            | "                      | "           | -1006 | -1007 | -1008 | -1010                  | -1012 | -1015 |     |     |     |     |     |     | 10 | 12  |
| 12                    | 14                    | 20                         | 12        | $-0.025_{-0.043}$ | 14  | "          | "    | "            | "                      | "           | -1206 | -1207 | -1208 | -1210                  | -1212 | -1215 |     |     |     |     |     |     | 12 | 14  |
| 13                    | 15                    | 21                         | 13        | "                 | 15  | "          | "    | "            | "                      | "           | -1310 | -1315 |       |                        |       |       |     |     |     |     |     |     | 13 | 15  |
| 14                    | 16                    | 22                         | 14        | "                 | 16  | "          | "    | "            | "                      | "           | -1410 | -1412 | -1415 |                        |       |       |     |     |     |     |     |     | 14 | 16  |
| 15                    | 17                    | 23                         | 15        | "                 | 17  | "          | "    | "            | "                      | "           | -1510 | -1512 | -1515 | -1520                  |       |       |     |     |     |     |     |     | 15 | 17  |
| 16                    | 18                    | 24                         | 16        | "                 | 18  | "          | "    | "            | "                      | "           | -1610 | -1615 | -1620 |                        |       |       |     |     |     |     |     |     | 16 | 18  |
| 18                    | 20                    | 26                         | 18        | "                 | 20  | $+0.021_0$ | "    | "            | "                      | "           | -1810 | -1812 | -1815 | -1820                  |       |       |     |     |     |     |     |     | 18 | 20  |
| 20                    | 23                    | 31                         | 20        | $-0.025_{-0.046}$ | 23  | "          | 1.5  | $0_{-0.030}$ | 1.5                    | $0_{-0.15}$ | -2010 | -2012 | -2015 | -2020                  | -2025 |       |     |     |     |     |     |     | 20 | 23  |
| 22                    | 25                    | 33                         | 22        | "                 | 25  | "          | "    | "            | "                      | "           | -2210 | -2212 | -2215 | -2220                  |       |       |     |     |     |     |     |     | 22 | 25  |
| 24                    | 27                    | 35                         | 24        | "                 | 27  | "          | "    | "            | "                      | "           | -2415 | -2420 | -2425 |                        |       |       |     |     |     |     |     |     | 24 | 27  |
| 25                    | 28                    | 36                         | 25        | "                 | 28  | "          | "    | "            | "                      | "           | -2510 | -2512 | -2515 | -2520                  | -2525 |       |     |     |     |     |     |     | 25 | 28  |
| 26                    | 30                    | 38                         | 26        | "                 | 30  | "          | 2.0  | $0_{-0.030}$ | 2.0                    | $0_{-0.15}$ | -2615 | -2620 |       |                        |       |       |     |     |     |     |     |     | 26 | 30  |
| 28                    | 32                    | 40                         | 28        | "                 | 32  | $+0.025_0$ | "    | "            | "                      | "           | -2812 | -2815 | -2820 |                        |       |       |     |     |     |     |     |     | 28 | 32  |
| 30                    | 34                    | 42                         | 30        | "                 | 34  | "          | "    | "            | "                      | "           | -3012 | -3015 | -3020 | -3025                  | -3030 |       |     |     |     |     |     |     | 30 | 34  |
| 31                    | 35                    | 45                         | 31        | $-0.025_{-0.050}$ | 35  | "          | "    | "            | "                      | "           | -3125 |       |       |                        |       |       |     |     |     |     |     |     | 31 | 35  |
| 32                    | 36                    | 46                         | 32        | "                 | 36  | "          | "    | "            | "                      | "           | -3220 | -3225 | -3230 |                        |       |       |     |     |     |     |     |     | 32 | 36  |
| 35                    | 39                    | 49                         | 35        | "                 | 39  | "          | "    | "            | "                      | "           | -3512 | -3520 | -3525 | -3530                  | -3540 |       |     |     |     |     |     |     | 35 | 39  |
| 38                    | 42                    | 52                         | 38        | "                 | 42  | "          | "    | "            | "                      | "           | -3820 |       |       |                        |       |       |     |     |     |     |     |     | 38 | 42  |
| 40                    | 44                    | 54                         | 40        | "                 | 44  | "          | "    | "            | "                      | "           | -4012 | -4020 | -4025 | -4030                  | -4040 |       |     |     |     |     |     |     | 40 | 44  |
| 45                    | 50                    | 60                         | 45        | "                 | 50  | "          | 2.5  | $0_{-0.040}$ | 2.0                    | $0_{-0.15}$ | -4520 | -4525 | -4530 | -4540                  |       |       |     |     |     |     |     |     | 45 | 50  |
| 50                    | 55                    | 65                         | 50        | "                 | 55  | $+0.030_0$ | "    | "            | "                      | "           | -5020 |       |       |                        |       |       |     |     |     |     |     |     | 50 | 55  |
| 55                    | 60                    | 70                         | 55        | $-0.025_{-0.055}$ | 60  | "          | "    | "            | "                      | "           | -5530 | -5540 |       |                        |       |       |     |     |     |     |     |     | 55 | 60  |
| 60                    | 65                    | 75                         | 60        | "                 | 65  | "          | "    | "            | "                      | "           | -6030 | -6040 |       |                        |       |       |     |     |     |     |     |     | 60 | 65  |