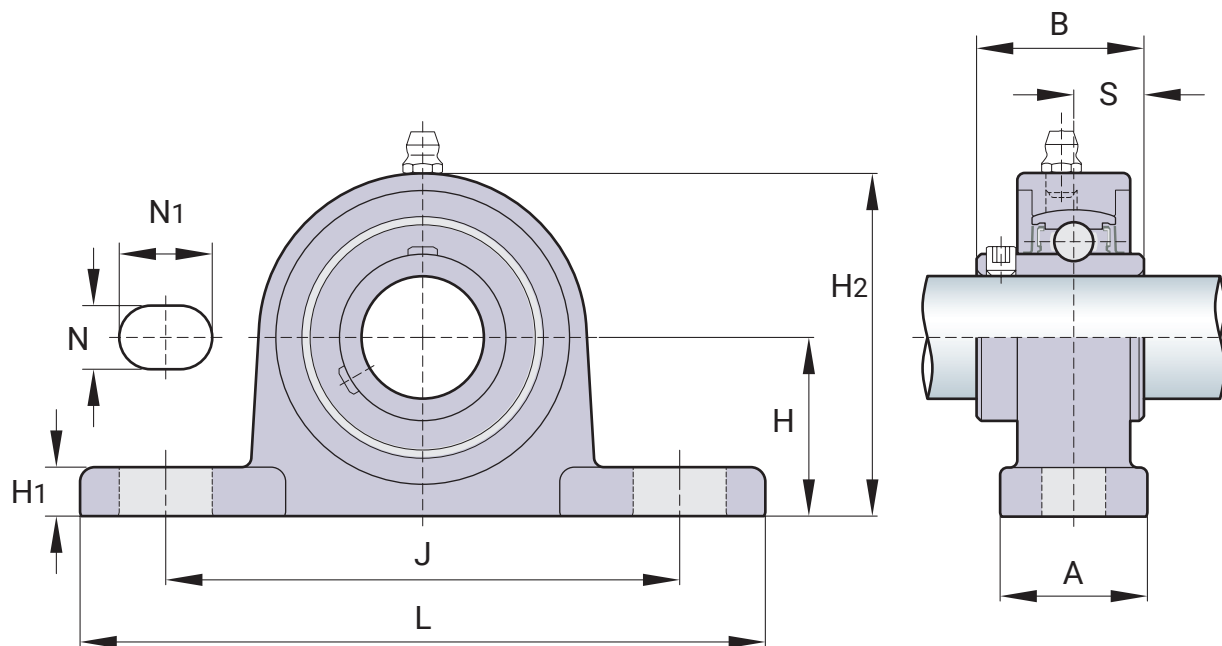




MUCP 200 不銹鋼立式帶座軸承

Stainless Steel Pillow Block Units

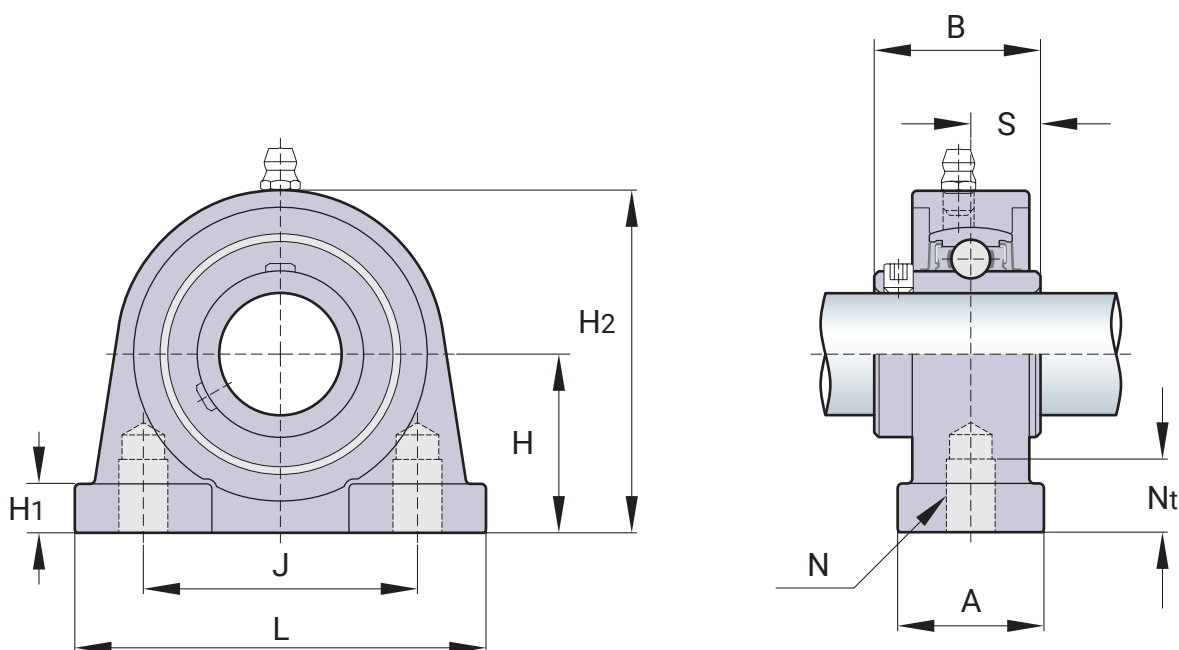


軸徑 (mm)	帶座軸承 型號	型式	軸承箱主要尺寸 (mm)										螺絲 尺寸
			H	L	A	J	N	N1	H1	H2	B	S	
12	MUCP 201	VN,Y	30.2	127	30	95	13	19	11	61	31	12.7	M10
15	MUCP 202	VN,Y	30.2	127	30	95	13	19	11	61	31	12.7	M10
17	MUCP 203	VN,Y	30.2	127	30	95	13	19	11	61	31	12.7	M10
20	MUCP 204	VN,Y	33.3	127	30	95	13	19	11	65	31	12.7	M10
25	MUCP 205	VN,Y	36.5	140	30	105	13	19	11	70	34.1	14.3	M10
30	MUCP 206	VN,Y	42.9	165	36	121	17	21	10	83	38.1	15.9	M14
35	MUCP 207	VN,Y	47.6	167	38	127	17	21	10	94	42.9	17.5	M14
40	MUCP 208	VN,Y	49.2	184	40	137	17	22	10	100	49.2	19.0	M14
45	MUCP 209	VN,Y	54	190	40	146	17	22	11	108	49.2	19.0	M14
50	MUCP 210	VN,Y	57.2	206	45	159	20	25	11	114	51.6	19.0	M16
55	MUCP 211	V,Y	63.5	219	45	171	20	25	16	126	55.6	22.2	M16
60	MUCP 212	V,Y	69.8	241	50	184	20	25	19	138	65.1	25.4	M16
65	MUCP 213	V,Y	76.2	265	52	203	25	29	20	150	65.1	25.4	M20



MUCPA 200 不銹鋼窄形帶座軸承

Stainless Steel Tapped Base Pillow Block Units

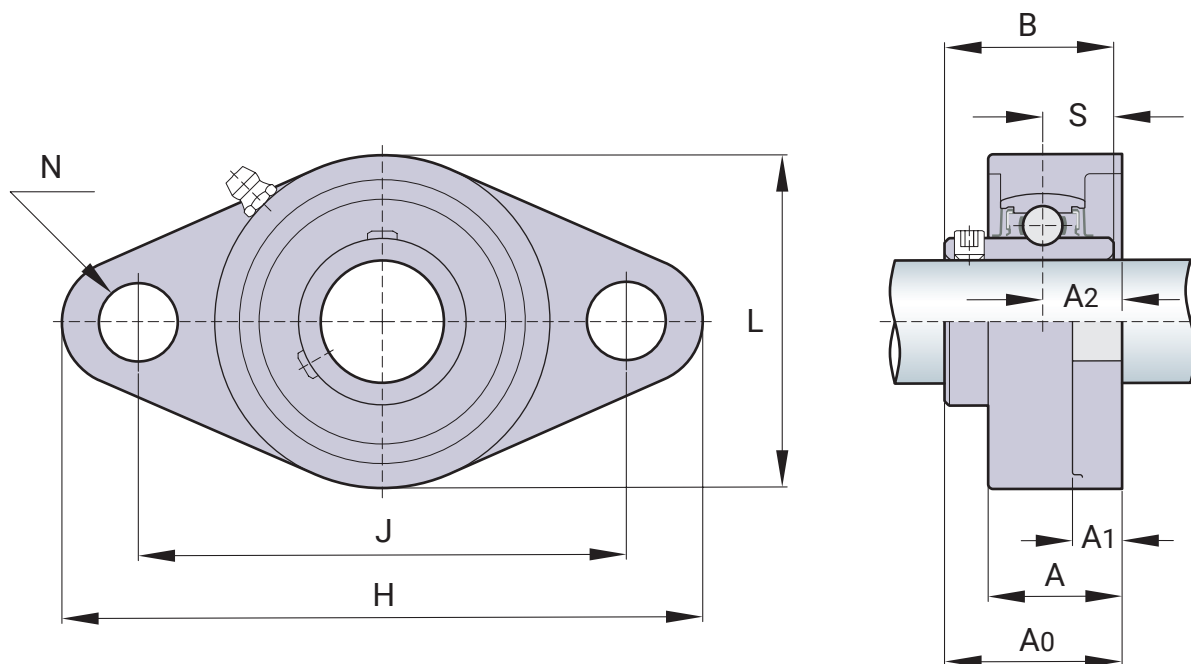


軸徑 (mm)	帶座軸承 型號	型式	軸承箱主要尺寸 (mm)									
			H	L	A	J	N	Nt	H1	H2	B	S
12	MUCPA 201	VN,Y	30.2	76	25.5	52	M10 × 1.5	12	7	60.9	31	12.7
15	MUCPA 202	VN,Y	30.2	76	25.5	52	M10 × 1.5	12	7	60.9	31	12.7
17	MUCPA 203	VN,Y	30.2	76	25.5	52	M10 × 1.5	12	7	60.9	31	12.7
20	MUCPA 204	VN,Y	30.2	76	25.5	52	M10 × 1.5	12	7	60.9	31	12.7
25	MUCPA 205	VN,Y	36.5	84	30	56	M10 × 1.5	15	10	70	34.1	14.3
30	MUCPA 206	VN,Y	42.9	94	34	66	M14 × 2	18	11	83	38.1	15.9



MUCFL 200 不銹鋼菱形帶座軸承

Stainless Steel Two-Bolt Flange Units

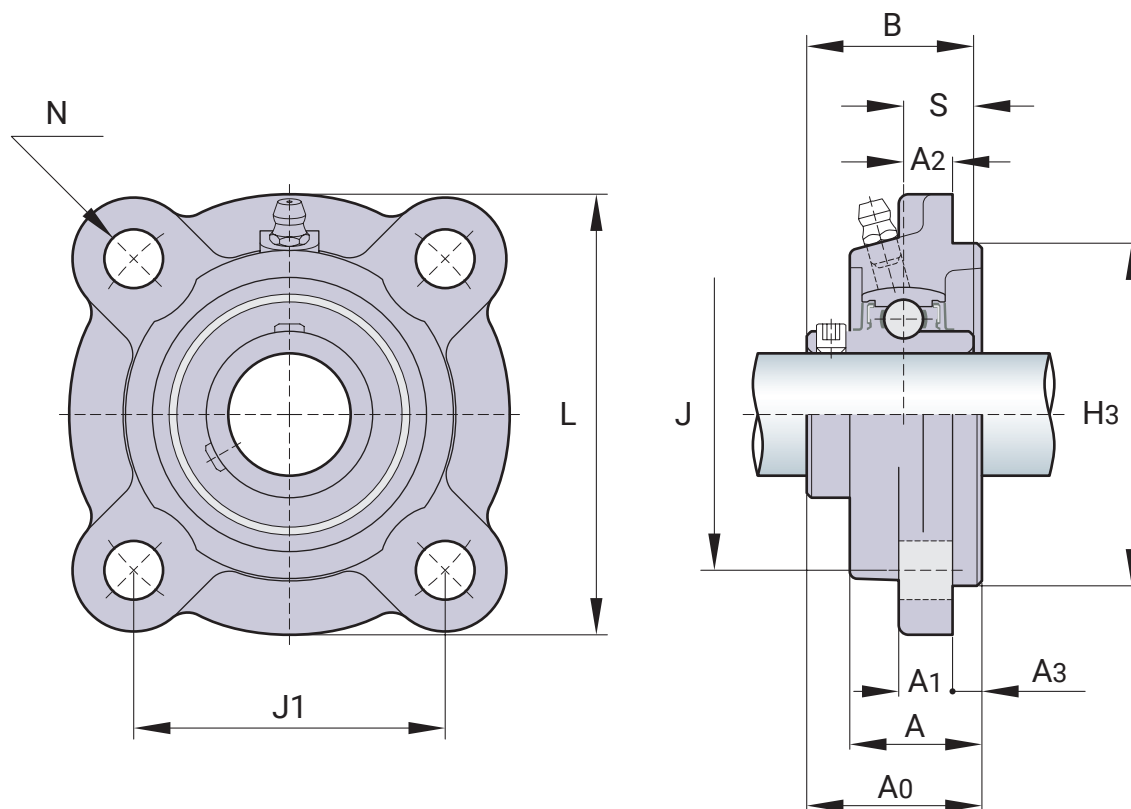


軸徑 (mm)	帶座軸承 型號	型式	軸承箱主要尺寸 (mm)										螺絲 尺寸
			H	L	A	J	N	A1	A2	A0	B	S	
12	MUCFL 201	VN,Y	113	60	25.5	90	12	10	15	33.3	31	12.7	M10
15	MUCFL 202	VN,Y	113	60	25.5	90	12	10	15	33.3	31	12.7	M10
17	MUCFL 203	VN,Y	113	60	25.5	90	12	10	15	33.3	31	12.7	M10
20	MUCFL 204	VN,Y	113	60	25.5	90	12	10	15	33.3	31	12.7	M10
25	MUCFL 205	VN,Y	130	68	27	99	16	10	16	35.8	34.1	14.3	M14
30	MUCFL 206	VN,Y	148	80	31	117	16	10	18	40.2	38.1	15.9	M14
35	MUCFL 207	VN,Y	161	90	34	130	16	11	19	44.4	42.9	17.5	M14
40	MUCFL 208	VN,Y	175	100	36	144	16	11	21	51.2	49.2	19	M14
45	MUCFL 209	VN,Y	188	108	38	148	19	13	22	52.2	49.2	19	M16
50	MUCFL 210	VN,Y	197	115	40	157	19	13	22	54.6	51.6	19	M16



MUCFC 200 不銹鋼凸台圓形帶座軸承

Stainless Steel Flange Cartridge Units

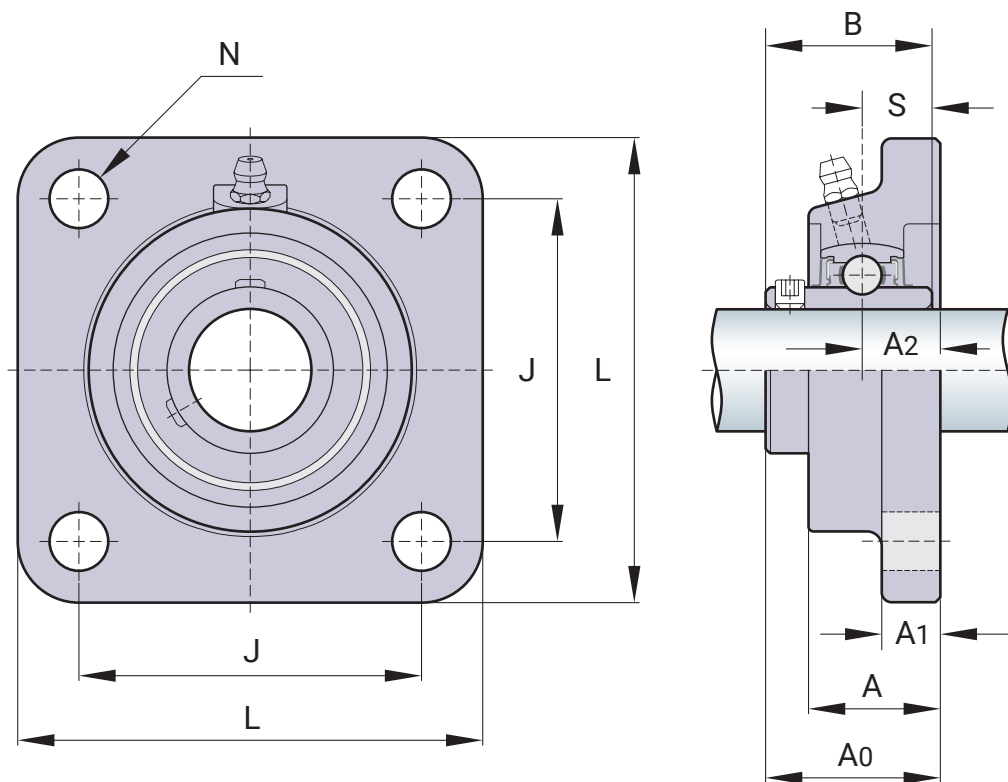


軸徑 (mm)	帶座軸承 型號	型式	軸承箱主要尺寸 (mm)											螺絲 尺寸	
			L	A	J	J1	N	A0	A1	A2	A3	H3	B		S
12	MUCFC 201	VN,Y	80	25.5	78	55.1	12	33.3	11	10	5	62	31	12.7	M10
15	MUCFC 202	VN,Y	80	25.5	78	55.1	12	33.3	11	10	5	62	31	12.7	M10
17	MUCFC 203	VN,Y	80	25.5	78	55.1	12	33.3	11	10	5	62	31	12.7	M10
20	MUCFC 204	VN,Y	80	25.5	78	55.1	12	33.3	11	10	5	62	31	12.7	M10
25	MUCFC 205	VN,Y	90	27	90	63.6	12	35.8	11	10	6	70	34.1	14.3	M10
30	MUCFC 206	VN,Y	100	31	100	70.7	12	40.2	13	10	8	80	38.1	15.9	M10
35	MUCFC 207	VN,Y	110	34	110	77.8	14	44.4	13.5	11	8	90	42.9	17.5	M12
40	MUCFC 208	VN,Y	120	36	120	84.8	14	51.2	13.5	11	10	100	49.2	19	M12



MUCF 200 不銹鋼方形帶座軸承

Stainless Steel Four-Bolt Flange Units

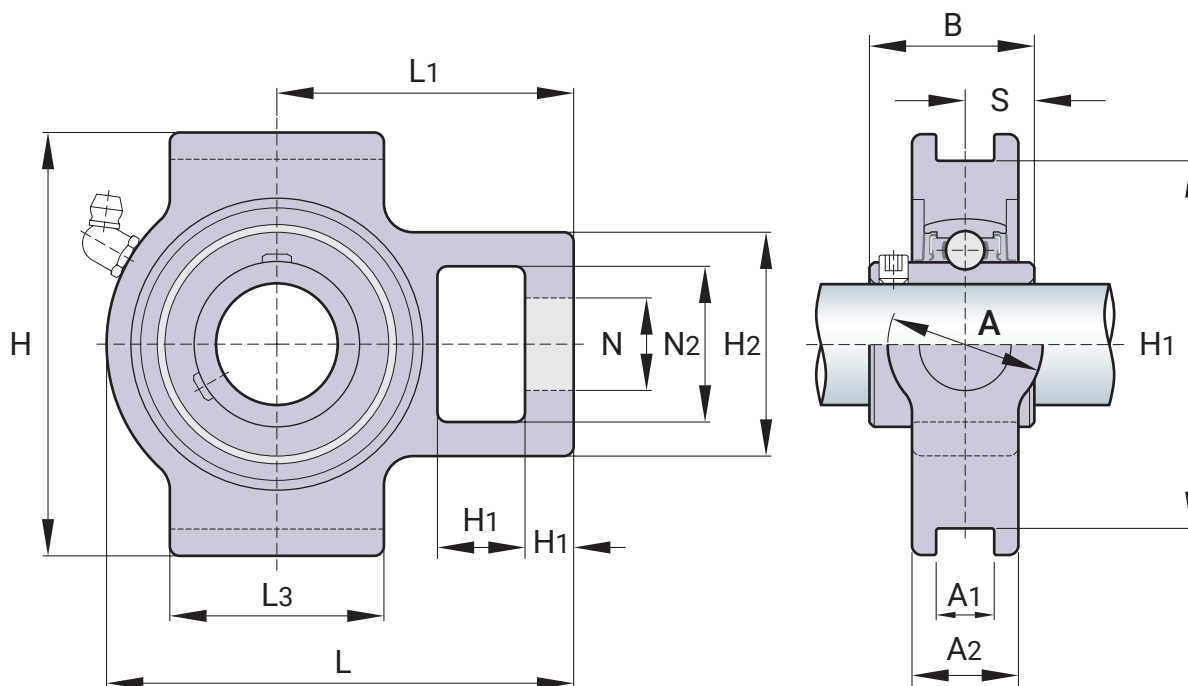


軸徑 (mm)	帶座軸承 型號	型式	軸承箱主要尺寸 (mm)									螺絲 尺寸
			L	A	J	N	A1	A2	A0	B	S	
12	MUCF 201	VN,Y	86	25.5	64	12	11	15	33.3	31	12.7	M10
15	MUCF 202	VN,Y	86	25.5	64	12	11	15	33.3	31	12.7	M10
17	MUCF 203	VN,Y	86	25.5	64	12	11	15	33.3	31	12.7	M10
20	MUCF 204	VN,Y	86	25.5	64	12	11	15	33.3	31	12.7	M10
25	MUCF 205	VN,Y	95	27	70	12	12	16	35.8	34.1	14.3	M10
30	MUCF 206	VN,Y	108	31	83	12	12.5	18	40.2	38.1	15.9	M10
35	MUCF 207	VN,Y	117	34	92	14	10.5	19	44.4	42.9	17.5	M12
40	MUCF 208	VN,Y	130	36	102	16	11	21	51.2	49.2	19.0	M14
45	MUCF 209	VN,Y	137	38	105	16	13	22	52.2	49.2	19.0	M14
50	MUCF 210	VN,Y	143	40	111	16	13	22	54.6	51.6	19.0	M14
55	MUCF 211	V,Y	162	43	130	19	16	25	58.4	55.6	22.2	M16
60	MUCF 212	V,Y	175	48	143	19	16.5	29	68.7	65.1	25.4	M16
65	MUCF 213	V,Y	187	50	149	19	16.5	30	69.7	65.1	25.4	M16



MUCT 200 不銹鋼滑塊帶座軸承

Stainless Steel Take-Up Units

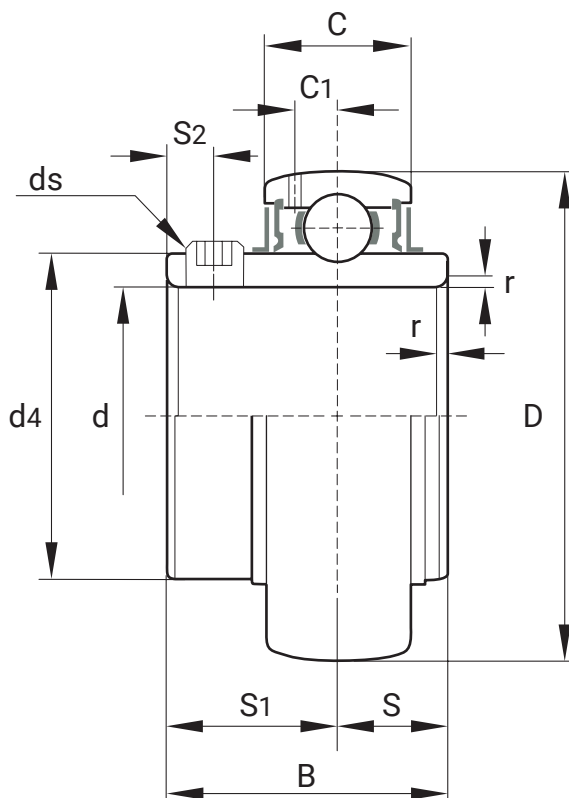


軸徑 (mm)	帶座軸承 型號	型式	軸承箱主要尺寸 (mm)														
			A	A1	A2	H	H1	H2	L	L1	L2	L3	N	N1	N2	B	S
12	MUCT 201	VN,Y	32	12	21	87	76	46	92	60	10	44	19	18	32	31	12.7
15	MUCT 202	VN,Y	32	12	21	87	76	46	92	60	10	44	19	18	32	31	12.7
17	MUCT 203	VN,Y	32	12	21	87	76	46	92	60	10	44	19	18	32	31	12.7
20	MUCT 204	VN,Y	32	12	21	87	76	46	92	60	10	44	19	18	32	31	12.7
25	MUCT 205	VN,Y	32	12	22	87	76	46	96	61	10	44	19	18	32	34.1	14.3
30	MUCT 206	VN,Y	36.5	12	27	101	89	52	111	69	10	50	22	18	37	38.1	15.9
35	MUCT 207	VN,Y	37	12	30	101	89	58	127	77	13	56	22	18	37	42.9	17.5
40	MUCT 208	VN,Y	49	16	33	113	102	74	142	87	16	72	29	20	49	49.2	19
45	MUCT 209	VN,Y	49	16	34	116	102	74	143	87	16	72	29	20	49	49.2	19
50	MUCT 210	VN,Y	49	16	37	116	102	74	147	89	16	72	29	20	49	51.6	19



MUC 200 外球面滾珠連座軸承

MUC200V, MUC200V-C4HR20, MUC200V-CR2A



軸徑 (mm)	軸承型號	主要尺寸 (mm)											基本靜定格荷重 (kN)		重量 (kg)
		d	D	B	C	r _{min}	S	S1	S2	ds	C1	d4	Cr	Cor	
12	MUC201V	12	47	31	17	0.6	12.7	18.3	5	M5 × 0.8	4.5	29	10.9	5.3	0.21
15	MUC202V	15	47	31	17	0.6	12.7	18.3	5	M5 × 0.8	4.5	29	10.9	5.3	0.19
17	MUC203V	17	47	31	17	0.6	12.7	18.3	5	M5 × 0.8	4.5	29	10.9	5.3	0.18
20	MUC204V	20	47	31	17	1	12.7	18.3	5	M5 × 0.8	4.5	29	10.9	5.3	0.16
25	MUC205V	25	52	34.1	17	1	14.3	19.8	5	M5 × 0.8	4.5	34	11.9	6.3	0.19
30	MUC206V	30	62	38.1	19	1	15.9	22.2	5	M5 × 0.8	5.1	40.5	16.7	9	0.31
35	MUC207V	35	72	42.9	20	1.5	17.5	25.4	7	M6 × 0.75	5.8	48	22	12.3	0.48
40	MUC208V	40	80	49.2	21	1.5	19	30.2	8	M6 × 0.75	6.2	53	24.9	14.3	0.62
45	MUC209V	45	85	49.2	22	1.5	19	30.2	8	M6 × 0.75	6.5	57.3	28.1	16.4	0.67
50	MUC210V	50	90	51.6	23	1.5	19	32.6	9	M8 × 1	6.5	63	30.2	18.6	0.78
55	MUC211V	55	100	55.6	24	2	22.2	33.4	9	M8 × 1	7.3	70	36.6	23.5	1.03
60	MUC212V	60	110	65.1	26	2	25.4	39.7	10	M10 × 1.25	7.7	77	44.6	28.9	1.45
65	MUC213V	65	120	65.1	27	2	25.4	39.7	10	M10 × 1.25	8.3	82.1	48.9	32	1.71