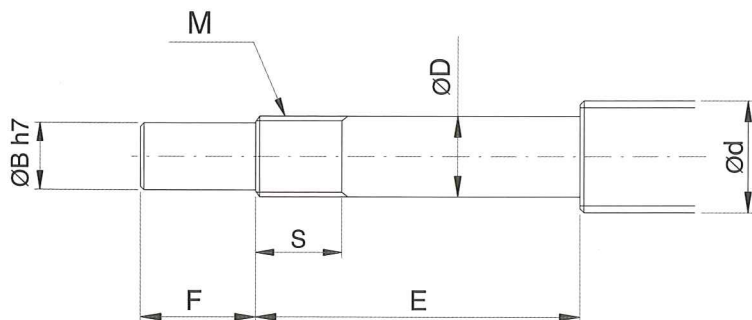
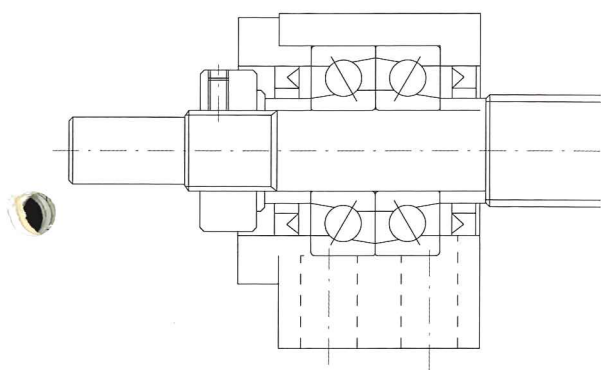


建議軸端加工尺寸 (固定側)BK型
Recommended shaft end shape (Fixed-side)
for Support Units types



BK型
Type BK

單位/Unit : mm

型號 Support unit model No.	滾珠螺桿軸外徑 Ballscrew shaft OD	軸端部外徑 Shaft support portion OD				公稱螺紋 Metric screw thread	
BK型 Type BK	d	D	B	E	F	M	S
BK10	12/14/15	10 -0.005 -0.012	8	36	15	M10×1	16
BK12	14/15/16	12 -0.005 -0.012	10	36	15	M12×1	14
BK15	18/20	15 -0.005 -0.014	12	40	20	M15×1	12
BK17	20/25	17 -0.005 -0.014	15	53	23	M17×1	17
BK20	25/28	20 -0.005 -0.014	17	53	25	M20×1	15
BK25	32/36	25 -0.005 -0.014	20	65	30	M25×1.5	18
BK30	36/40	30 -0.005 -0.015	25	72	38	M30×1.5	25
BK35	45	35 -0.005 -0.015	30	81	45	M35×1.5	28
BK40	50	40 -0.005 -0.015	35	93	50	M40×1.5	35