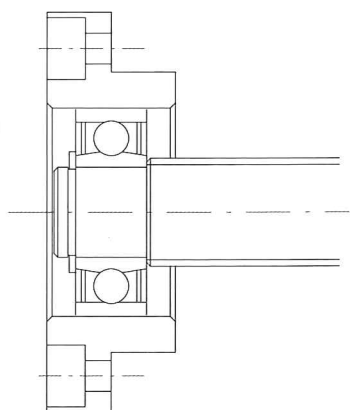
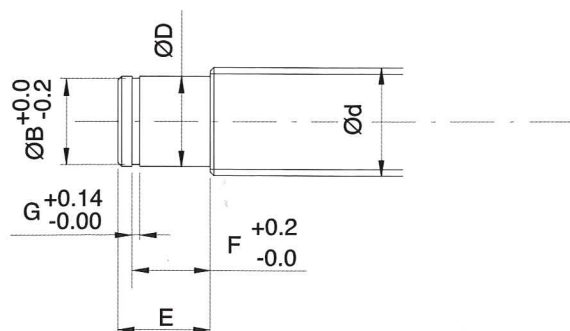
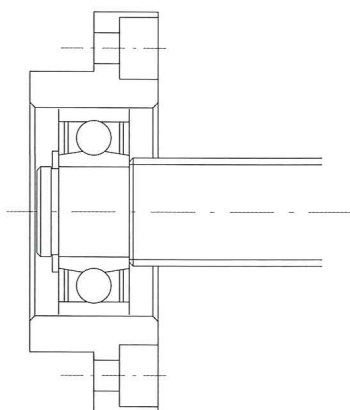


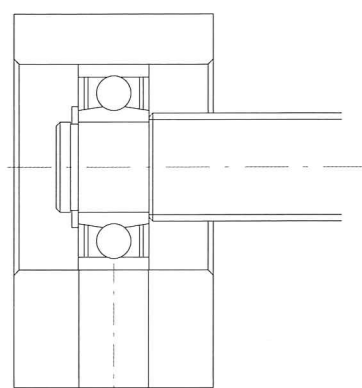
建議軸端加工尺寸 (支撐側)FF,EF,BF,AF型
Recommended shaft end shape (Supported-side)
for Support Units types FF,EF,BF,AF



FF型
Type FF



FF型
Type FF



EF,BF,AF型
Type EF,BF,AF

型號 Support unit model No.				滾珠螺桿軸外徑 Ballscrew shaft OD	軸端部外徑 Shaft support portion OD				
FF型 Type FF	EF型 Type EF	BF型 Type BF	AF型 Type AF	d	D	E	B	F	G
FF06	EF06	-	-	8	6 -0.005 -0.012	9	5.7	6.8	0.8
-	EF08	-	-	10	6 -0.005 -0.012	9	5.7	6.8	0.8
FF10	EF10	BF10	AF10	12/14/15	8 -0.005 -0.012	10	7.6	7.9	0.9
FF12	EF12	BF12	AF12	14/15/16	10 -0.005 -0.012	11	9.6	9.15	1.15
FF15	EF15	BF15	AF15	18/20	15 -0.005 -0.014	13	14.3	10.15	1.15
FF17	-	BF17	-	20/25	17 -0.005 -0.014	16	16.2	13.15	1.15
FF20	EF20	(BF20)Note	AF20	25/28/30	20 -0.005 -0.014	19(16)	19	15.35(13.35)	1.35
FF25	-	BF25	-	30/32/36	25 -0.005 -0.014	20	23.9	16.35	1.35
FF30	-	BF30	-	36/40	30 -0.005 -0.015	21	28.6	17.75	1.75
-	-	BF35	-	40/45	35 -0.005 -0.015	22	33	18.75	1.75
-	-	BF40	-	50	40 -0.005 -0.015	23	38	19.75	1.95