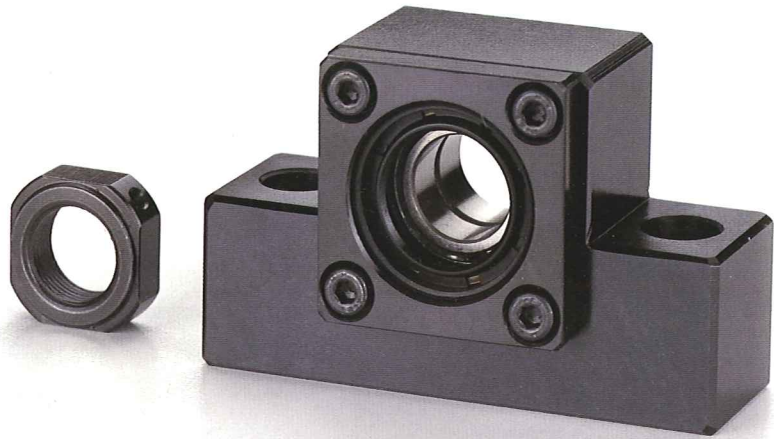
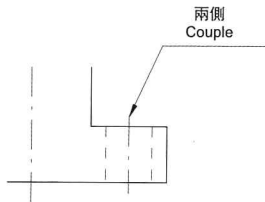


EK系列 (凸形固定側)

Support Unit EK
(fixed-side rectangular type)

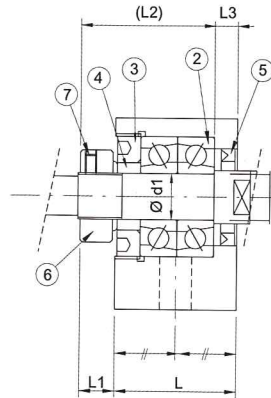
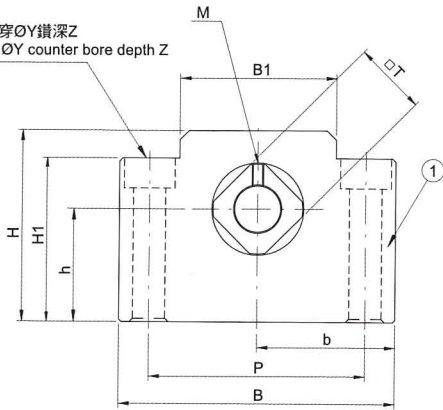
EK05



EK06, EK08



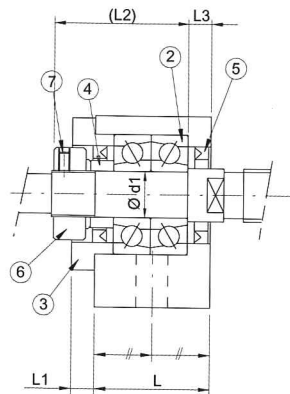
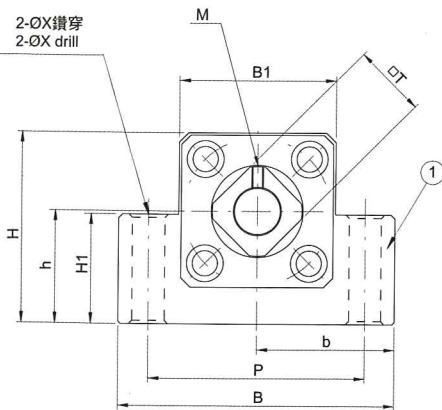
2-ØX鑽穿ØY鑽深Z
2-X drill ØY counter bore depth Z



EK10~EK20



2-ØX鑽穿
2-ØX drill



編號 / Part No.	部品名稱 / Part name	數量 / Qty
1	軸承座本體 / Housing	1
2	軸承 / Bearing	1組 / 1 set
3	壓板 / Holding lid	1
4	間隔圈 / Collar	2
5	軸封 / Seal	1 (2)
6	鎖固螺帽 / Lock nut	1
7	內六角止付螺絲附銅片 Hexagon socket-head Setscrew (with set piece)	2

單位 / Unit : mm

型號 Model No.	軸徑 Shaft diameter d1	L	L1	L2	L3	B	H	b	h	B1	H1	P	X	Y	Z	M	T
								±0.02	±0.02								
EK05	5	16.5	5.5	18.5	3.5	36	21	18	11	20	8	28	4.5	-	-	M2.6	11
EK06	6	20	5.5	22	3.5	42	25	21	13	18	20	30	5.5	9.5	11	M3	12
EK08	8	23	7	26	4	52	32	26	17	25	26	38	6.6	11	12	M3	14
EK10	10	24	6	29.5	6	70	43	35	25	36	24	52	9	-	-	M3	16
EK12	12	24	6	29.5	6	70	43	35	25	36	24	52	9	-	-	M3	19
EK15	15	25	6	36	5	80	49	40	30	41	25	60	11	-	-	M3	22
EK20	20	42	10	50	10	95	58	47.5	30	56	25	75	11	-	-	M4	30

接受表面特殊處理之訂製 Surface Special treatment is available.