

FK系列 (圓形固定側)

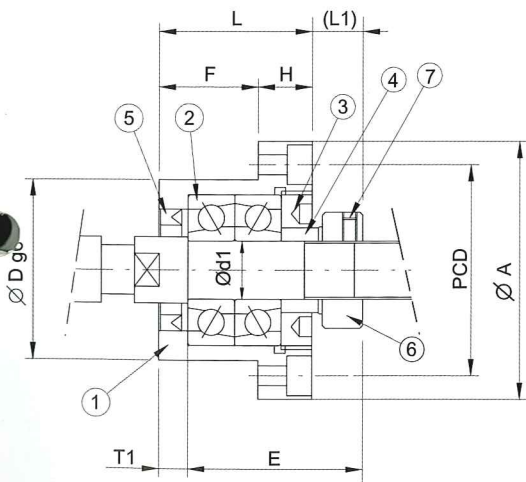
Support Unit FK (fixed-side round type)



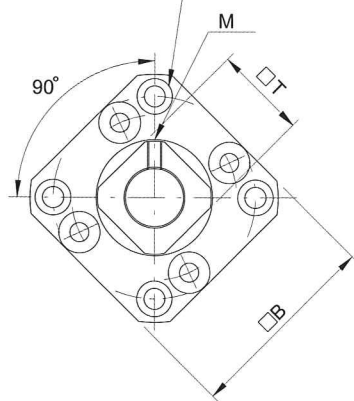
| 編號 / Part No. | 部品名稱 / Part name | 數量 / Qty |
|---------------|--|------------|
| 1 | 軸承座本體 / Housing | 1 |
| 2 | 軸承 / Bearing | 1組 / 1 set |
| 3 | 壓板 / Holding lid | 1 |
| 4 | 間隔圈 / Collar | 2 |
| 5 | 軸封 / Seal | 2 |
| 6 | 鎖固螺帽 / Lock nut | 1組 / 1set |
| 7 | 內六角止付螺絲附銅片 Hexagon socket-head Setscrew (with set piece) | 2 |

FK05~FK08

4-ØX鑽穿ØY鑽深Z
4-X drill ØY counter bore depth Z



安裝方法A
Mounting method A



安裝方法B
Mounting method B

單位 / Unit : mm

| 型號 Model No. | 軸徑 Shaft diameter d | L | H | F | E | Dg6 | A | PCD | B | 裝方法A Mounting method A | | 裝方法B Mounting method B | | X | Y | Z | M | T |
|-----------------|------------------------------|------|---|------|------|-----------------------|----|-----|----|---------------------------|-----|---------------------------|-----|-----|-----|---|------|----|
| | | | | | | | | | | L1 | T1 | L2 | T2 | | | | | |
| FK05 | 5 | 16.5 | 6 | 10.5 | 18.5 | 20 -0.007 -0.02 | 34 | 26 | 26 | 5.5 | 3.5 | 7 | 5 | 3.4 | 6.5 | 4 | M2.6 | 11 |
| FK06 | 6 | 20 | 7 | 13 | 22 | 22 -0.007 -0.02 | 36 | 28 | 28 | 5.5 | 3.5 | 8.5 | 6.5 | 3.4 | 6.5 | 4 | M3 | 12 |
| FK08 | 8 | 23 | 9 | 14 | 26 | 28 -0.007 -0.02 | 43 | 35 | 35 | 7 | 4 | 10 | 7 | 3.4 | 6.5 | 4 | M3 | 14 |

接受表面特殊處理之訂製 Surface Special treatment is available.