

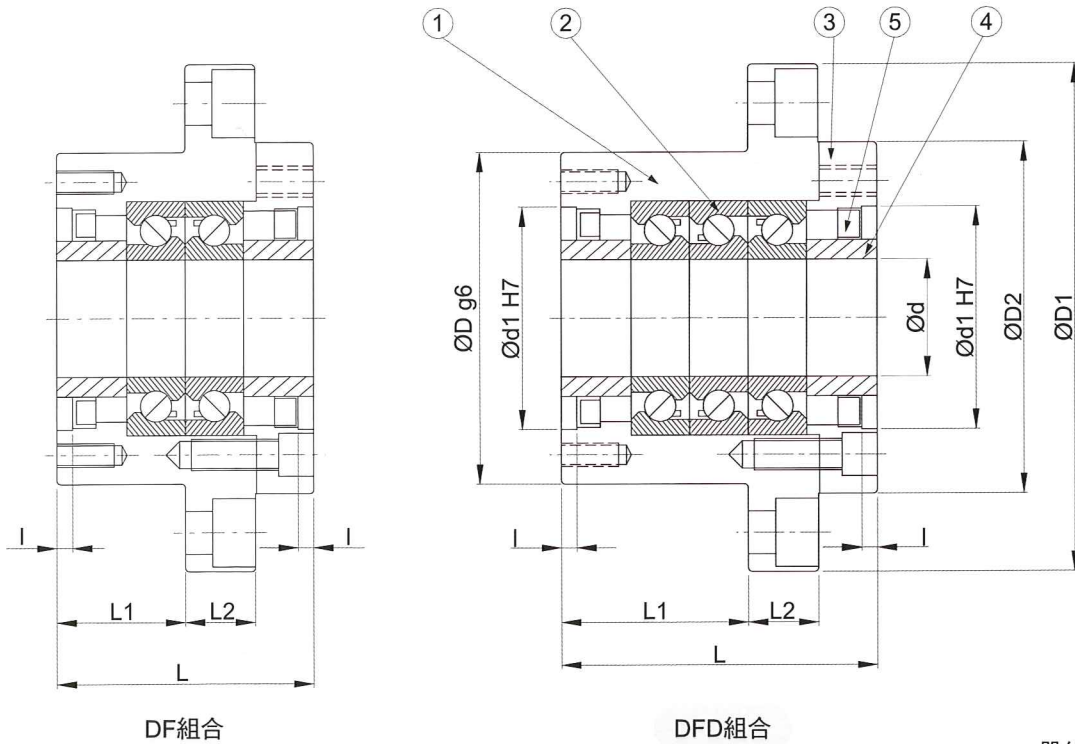
WBK型高荷重支撐座

WBK type support Unit
(heavy-load)



編號 / Part No.	部品名稱 / Part name	數量 / Qty
1	軸承座本體 / Housing	1
2	軸承 / Bearing	1組 / 1 set
3	壓板 / Holding lid	1
4	間隔圈 / Collar	2
5	軸封 / Seal	2

WBK



單位 / Unit : mm

型號 Model No.	支撐座尺寸 Dimensions of support unit																
	d	D	D1	D2	L	L1	L2	A	W	X	Y	Z	d1	I	V	P	Q
WBK 20DF	20	70	106	72	60	32	15	80	88	9	14	8.5	45	3	58	M5	10
WBK 25DF	25	85	130	90	66	33	18	100	110	11	17.5	11	57	4	70	M6	12
WBK 25DFD	25	85	130	90	81	48	18	100	110	11	17.5	11	57	4	70	M6	12
WBK 30DF	30	85	130	90	66	33	18	100	110	11	17.5	11	57	4	70	M6	12
WBK 30DFD	30	85	130	90	81	48	18	100	110	11	17.5	11	57	4	70	M6	12
WBK 35DF	35	95	142	102	66	33	18	106	121	11	17.5	11	69	4	80	M6	12
WBK 35DFD	35	95	142	102	81	48	18	106	121	11	17.5	11	69	4	80	M6	12
WBK 40DF	40	95	142	102	66	33	18	106	121	11	17.5	11	69	4	80	M6	12
WBK 40DFD	40	95	142	102	81	48	18	106	121	11	17.5	11	69	4	80	M6	12